

100 Word Letter puzzle with 9 letters

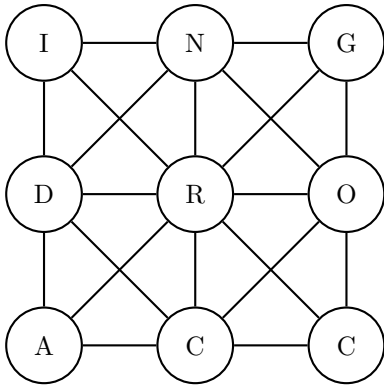
Sascha Frank

June 23, 2012

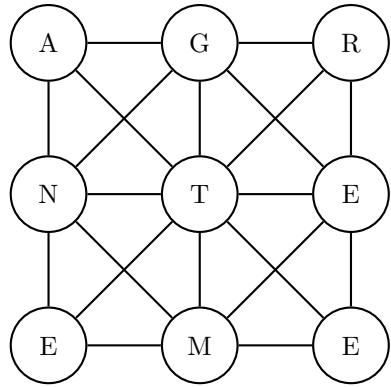
Connect the letters in such a way that they spell a word. Each letter is only used once and it is not allowed that the lines intersect. There are 100 different puzzles to solve for each of them is a solution at the end.

With the kind support of:
decodoo.de und www.moebel-zeit.com

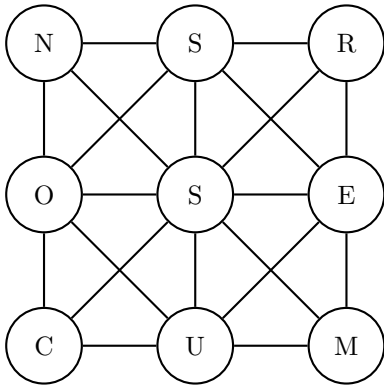
Number 1



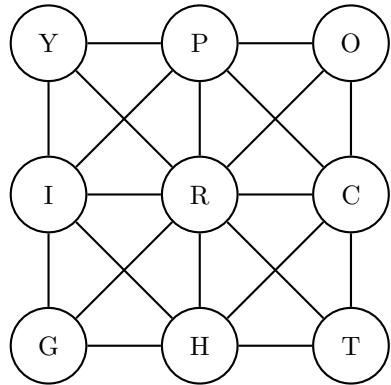
Number 2



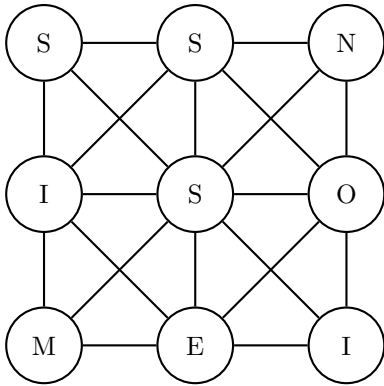
Number 3



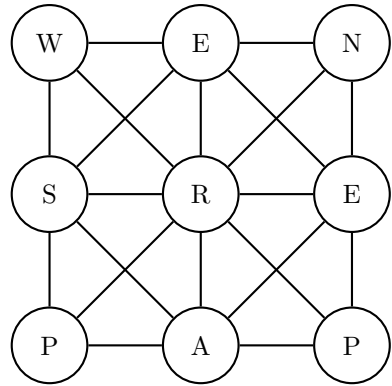
Number 4



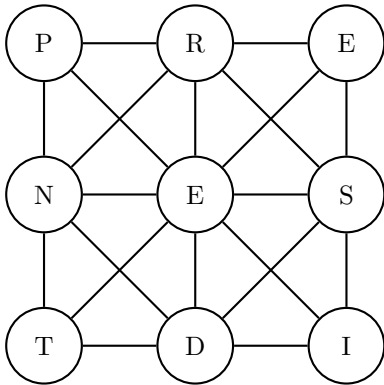
Number 5



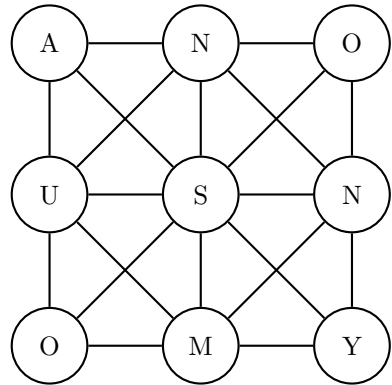
Number 6



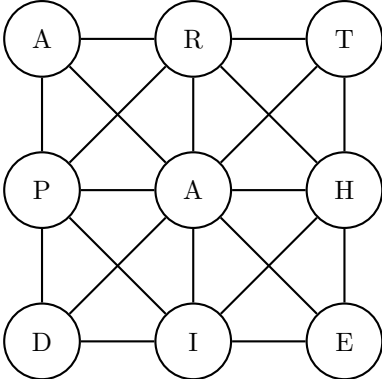
Number 7



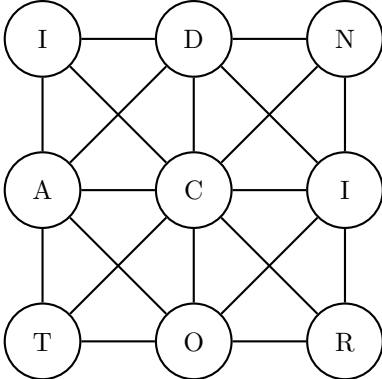
Number 8



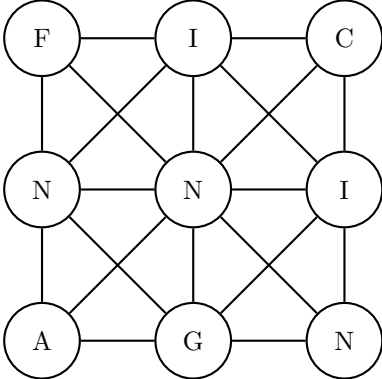
Number 9



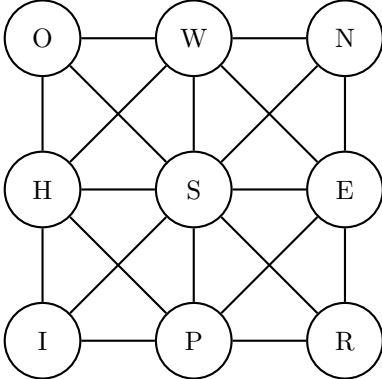
Number 10



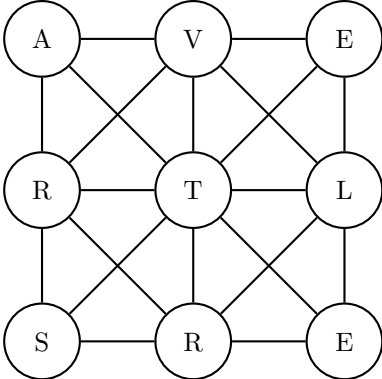
Number 11



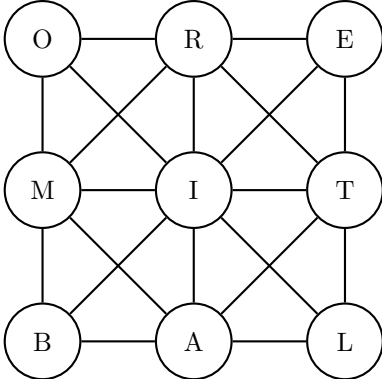
Number 12



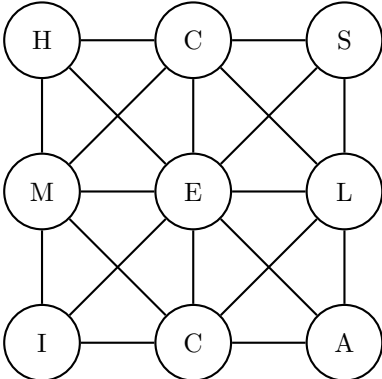
Number 13



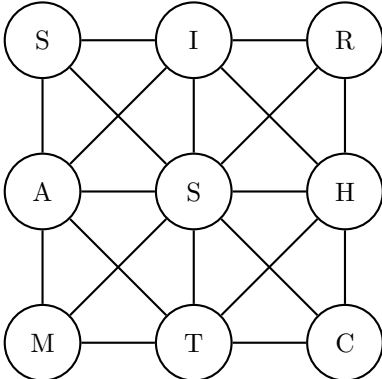
Number 14



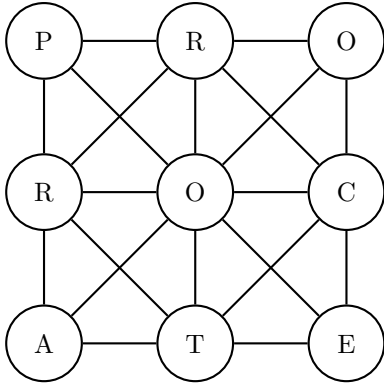
Number 15



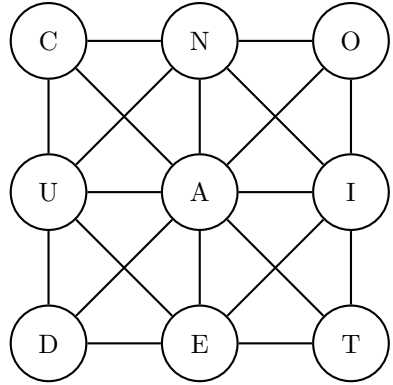
Number 16



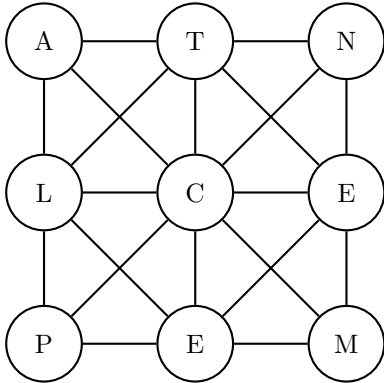
Number 17



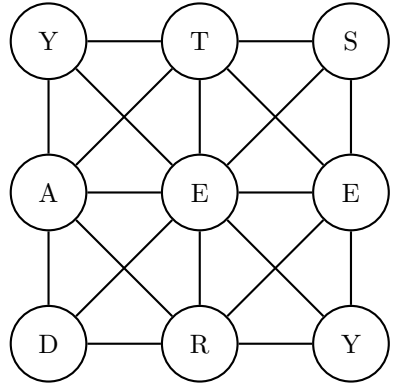
Number 18



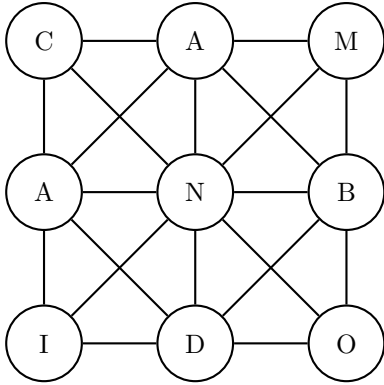
Number 19



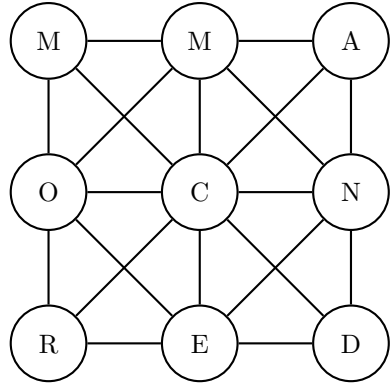
Number 20



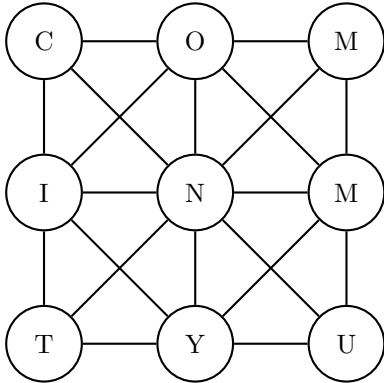
Number 21



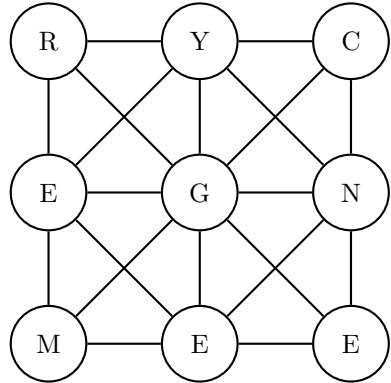
Number 22



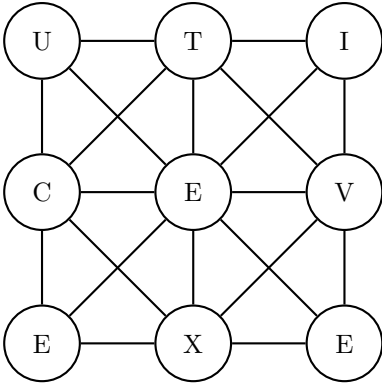
Number 23



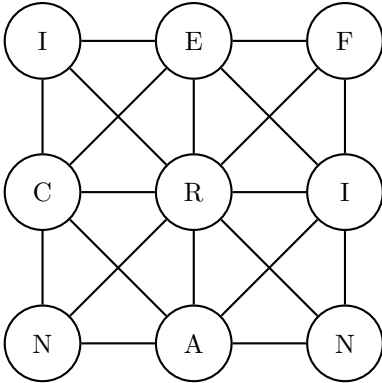
Number 24



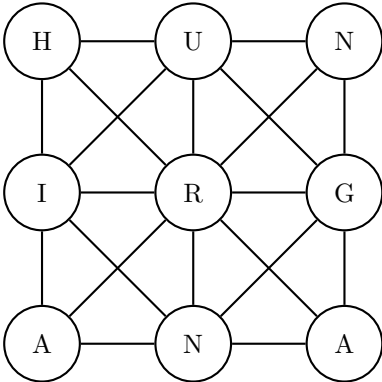
Number 25



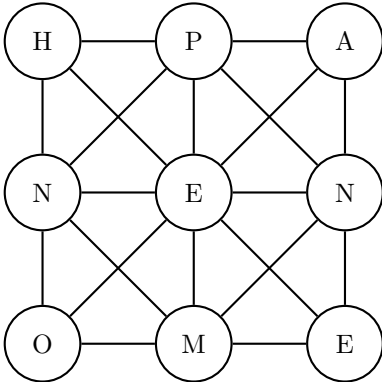
Number 26



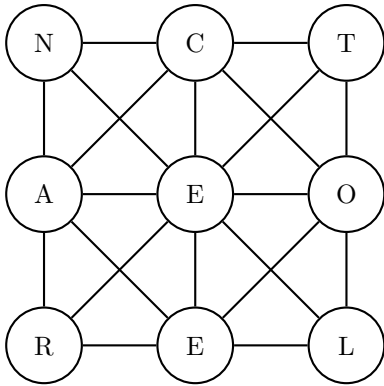
Number 27



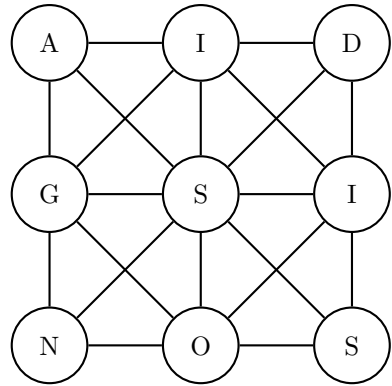
Number 28



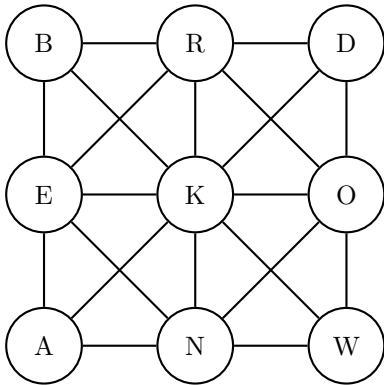
Number 29



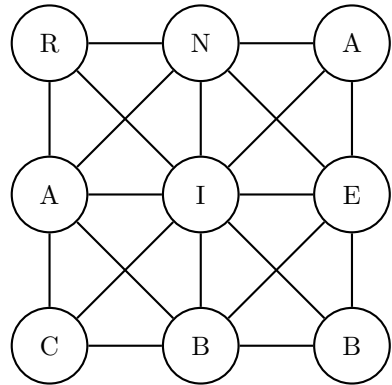
Number 30



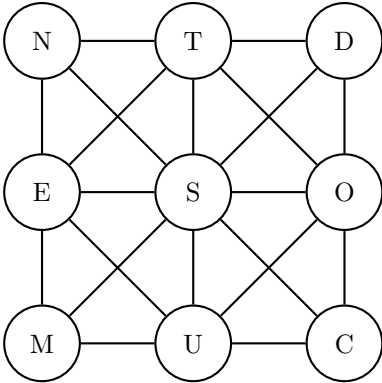
Number 31



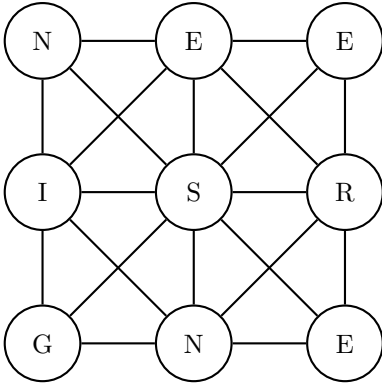
Number 32



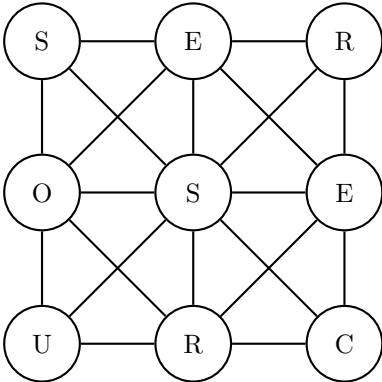
Number 33



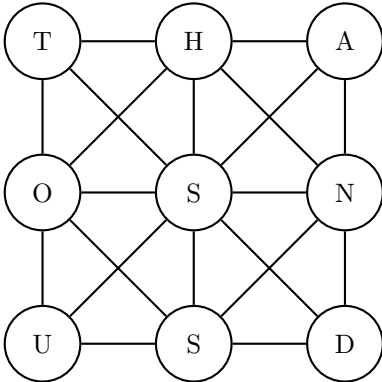
Number 34



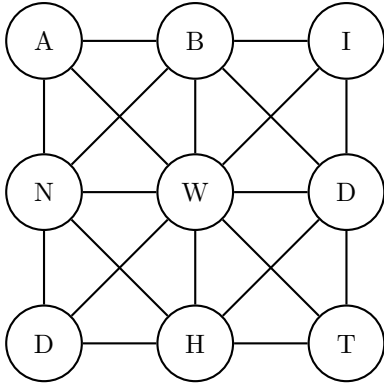
Number 35



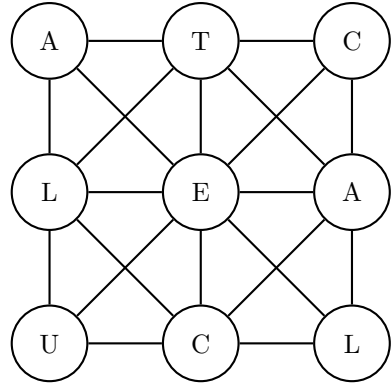
Number 36



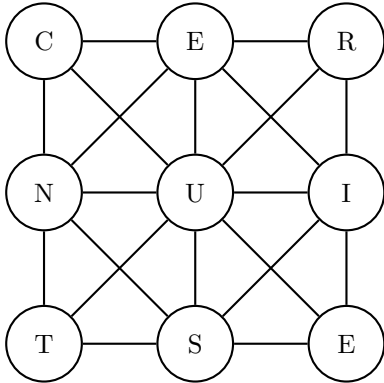
Number 37



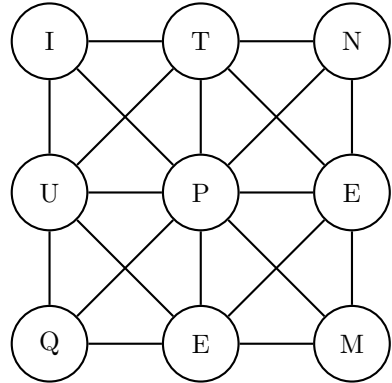
Number 38



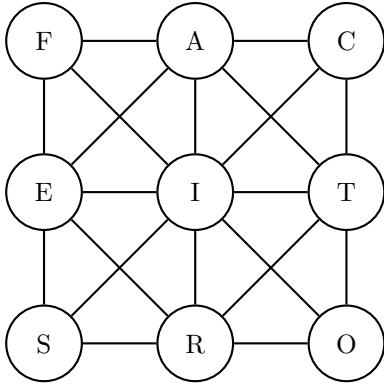
Number 39



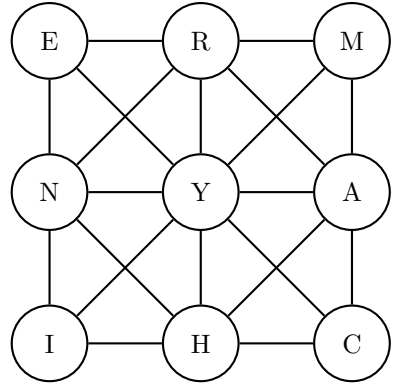
Number 40



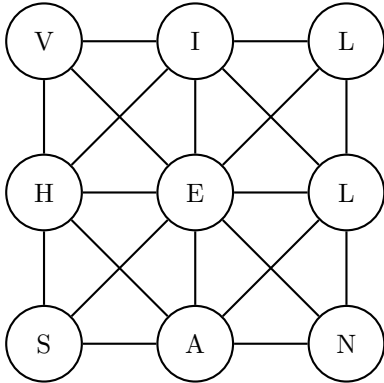
Number 41



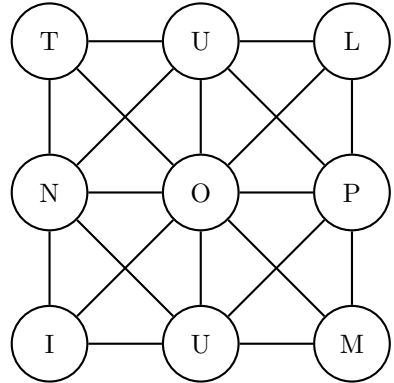
Number 42



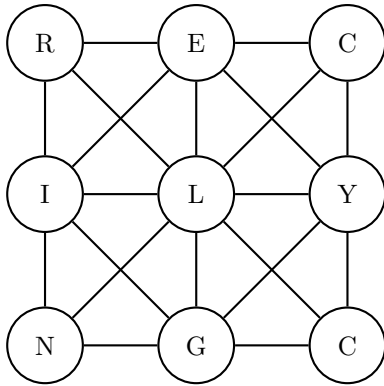
Number 43



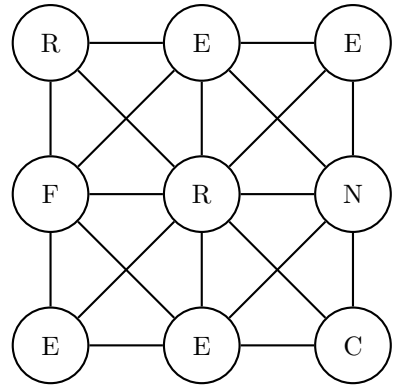
Number 44



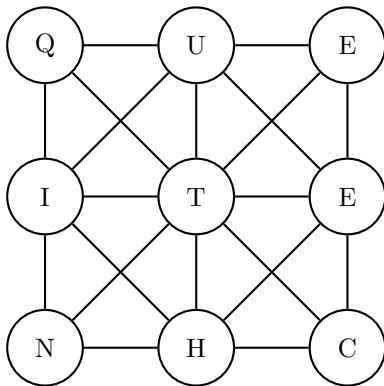
Number 45



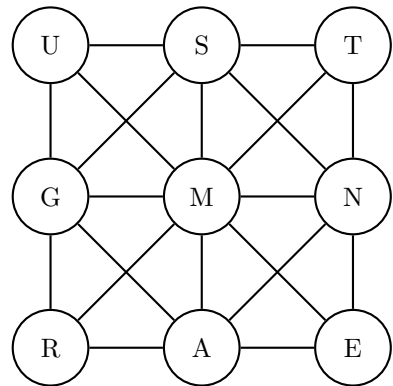
Number 46



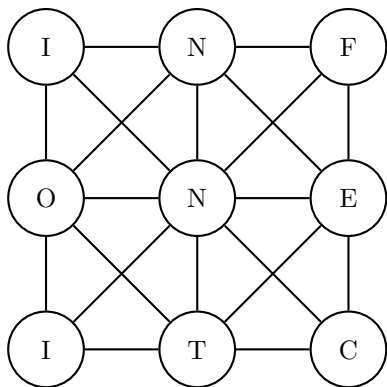
Number 47



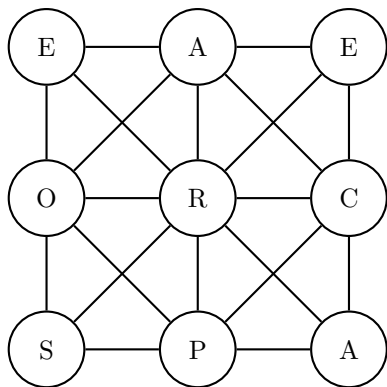
Number 48



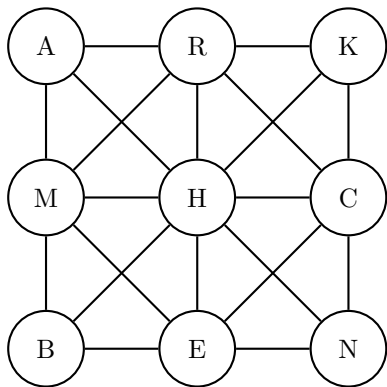
Number 49



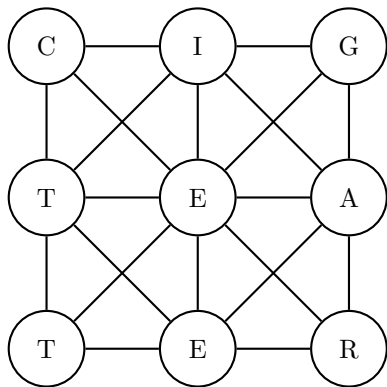
Number 50



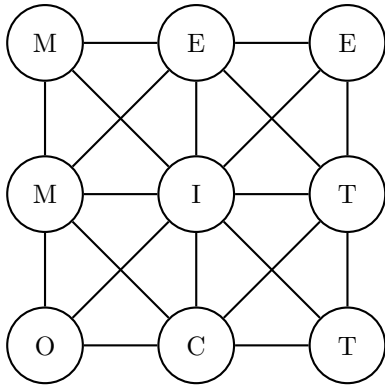
Number 51



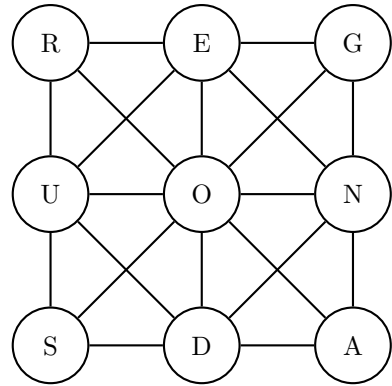
Number 52



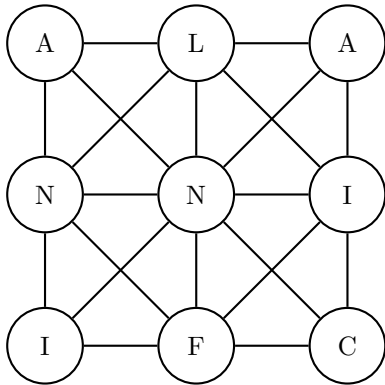
Number 53



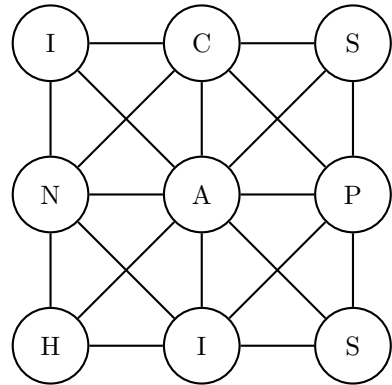
Number 54



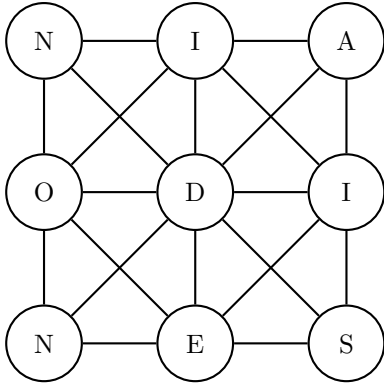
Number 55



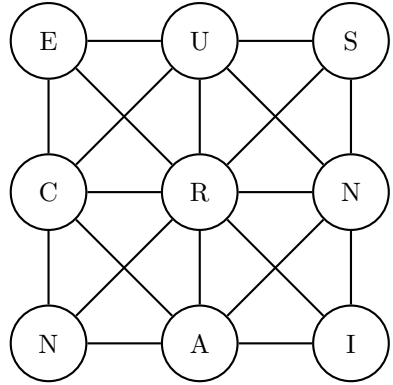
Number 56



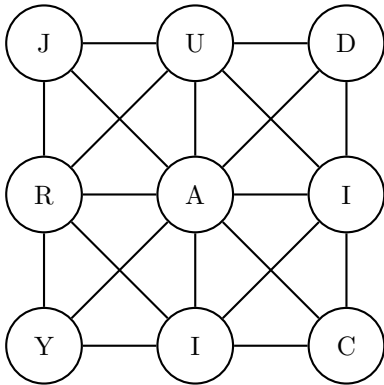
Number 57



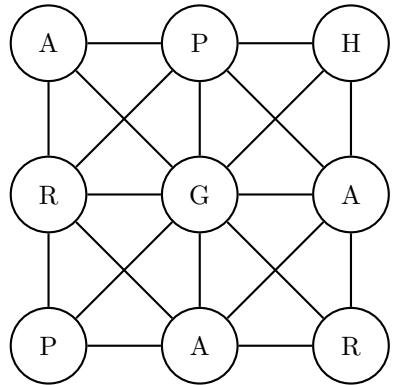
Number 58



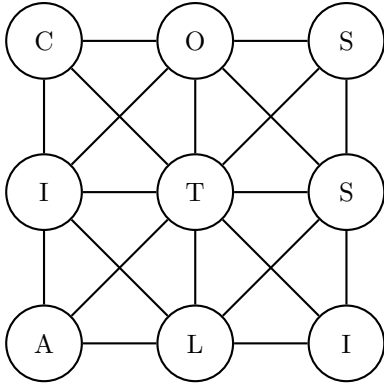
Number 59



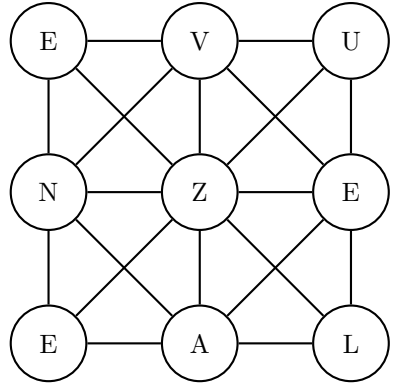
Number 60



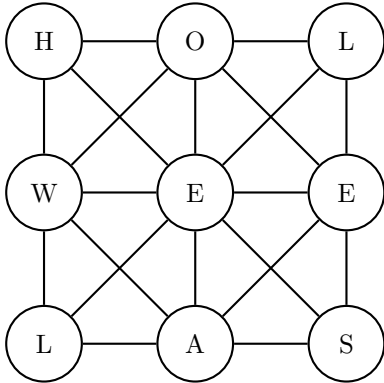
Number 61



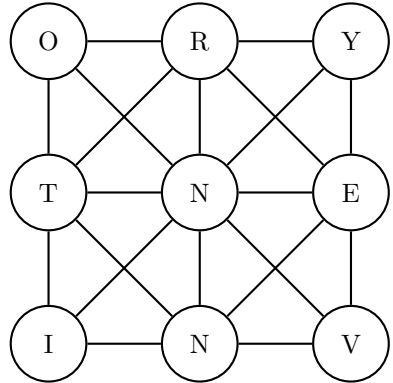
Number 62



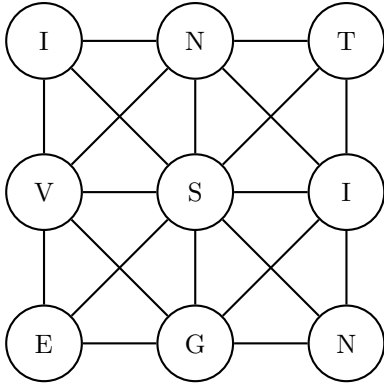
Number 63



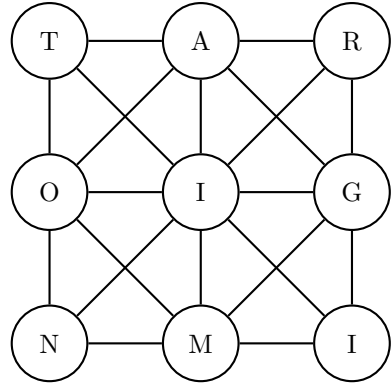
Number 64



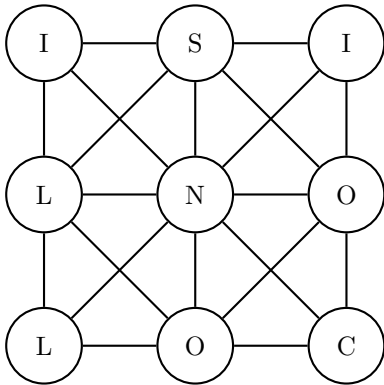
Number 65



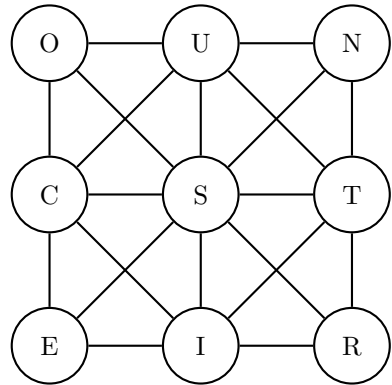
Number 66



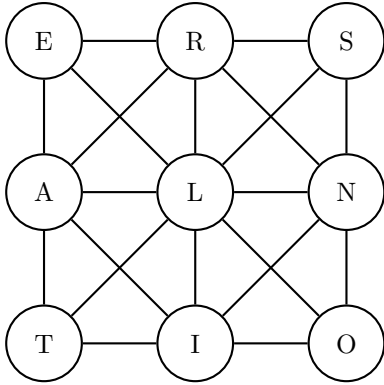
Number 67



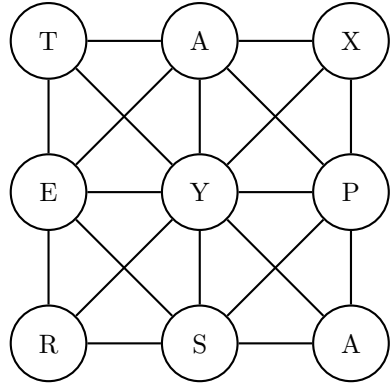
Number 68



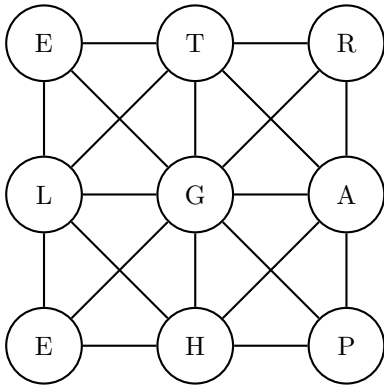
Number 69



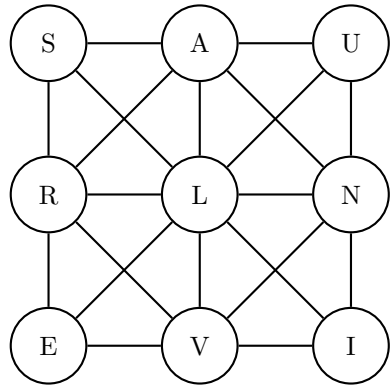
Number 70



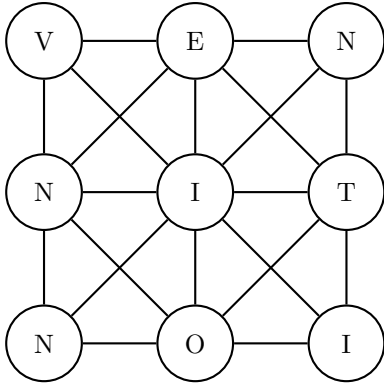
Number 71



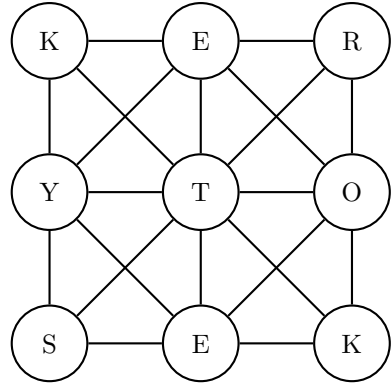
Number 72



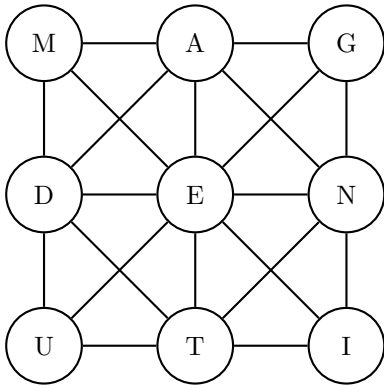
Number 73



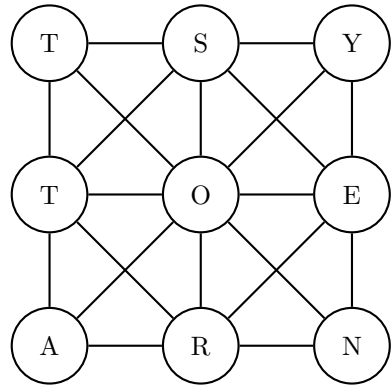
Number 74



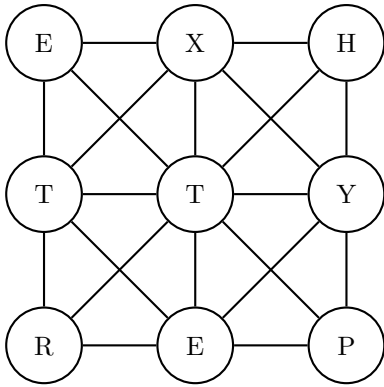
Number 75



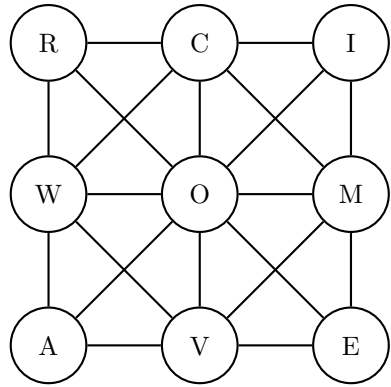
Number 76



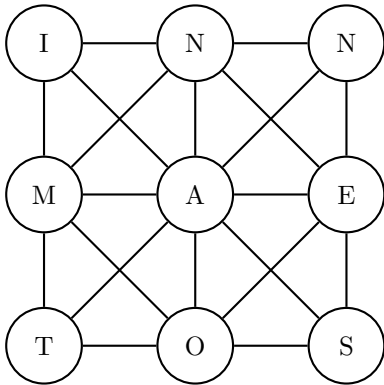
Number 77



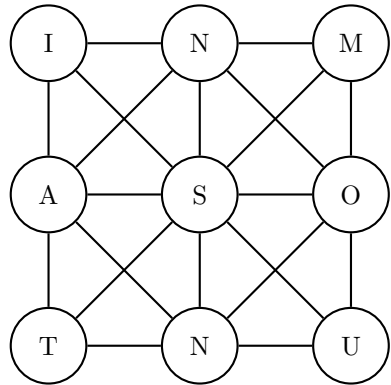
Number 78



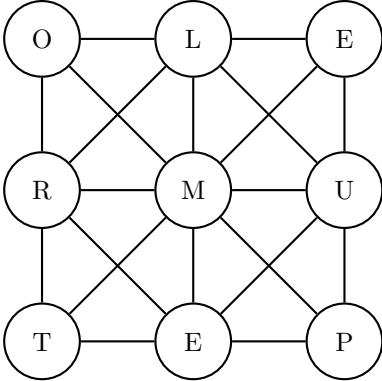
Number 79



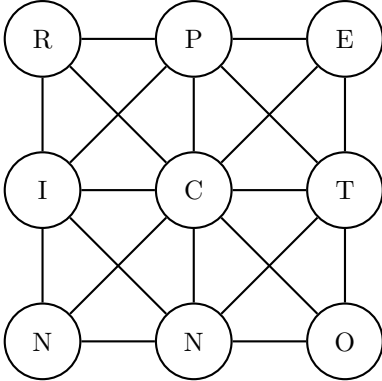
Number 80



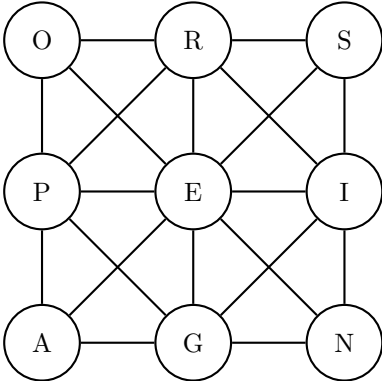
Number 81



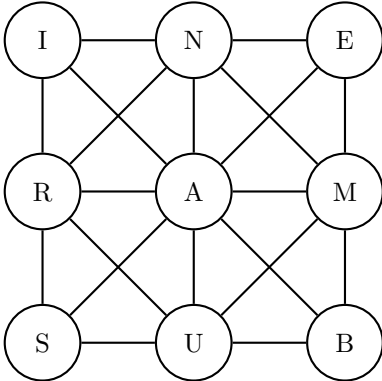
Number 82



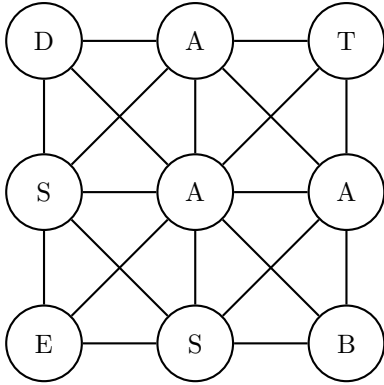
Number 83



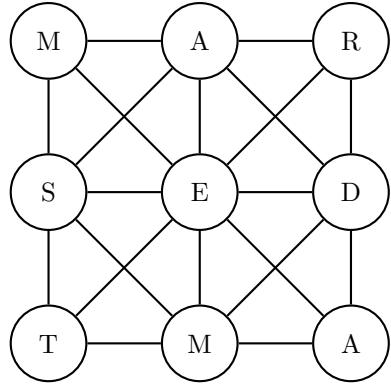
Number 84



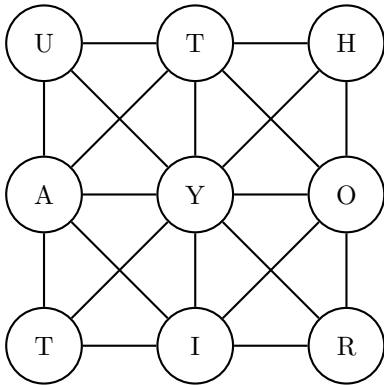
Number 85



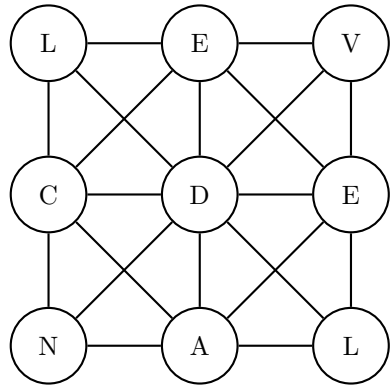
Number 86



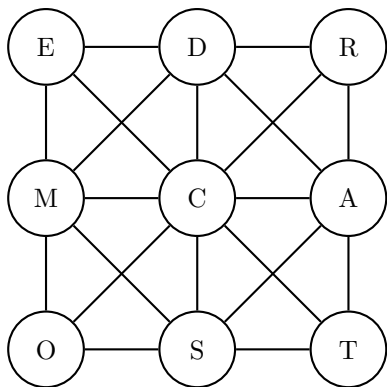
Number 87



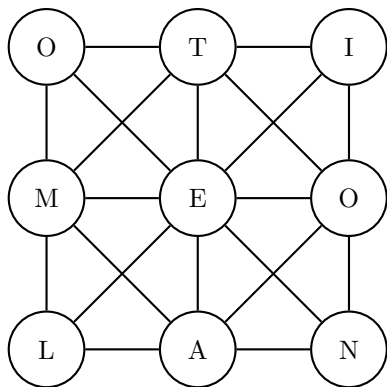
Number 88



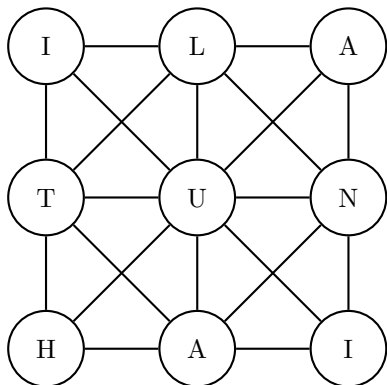
Number 89



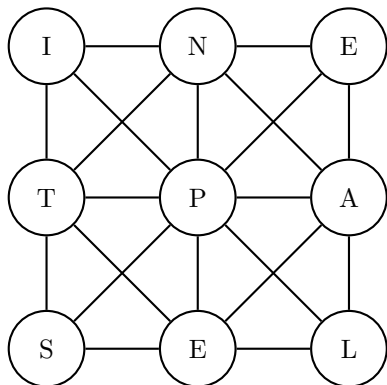
Number 90



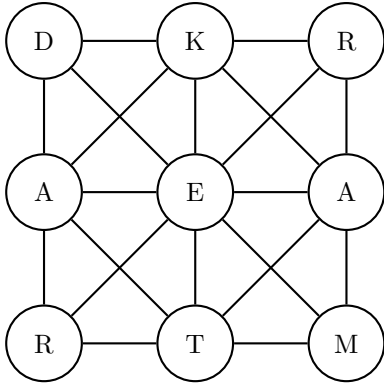
Number 91



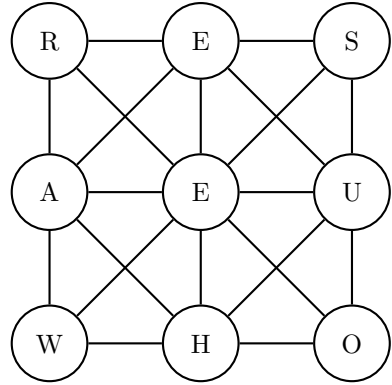
Number 92



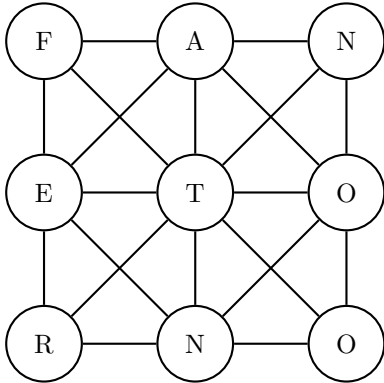
Number 93



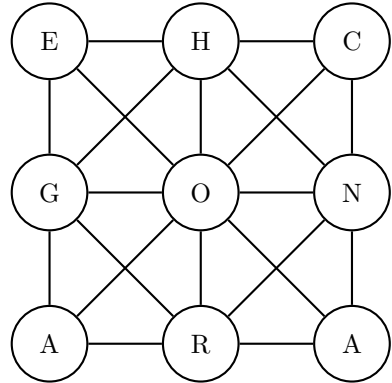
Number 94



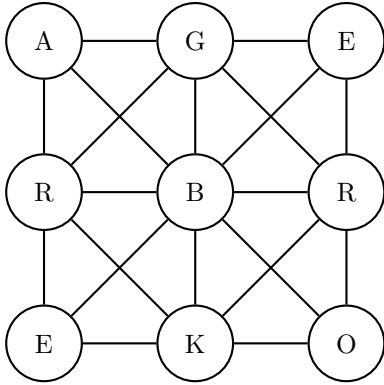
Number 95



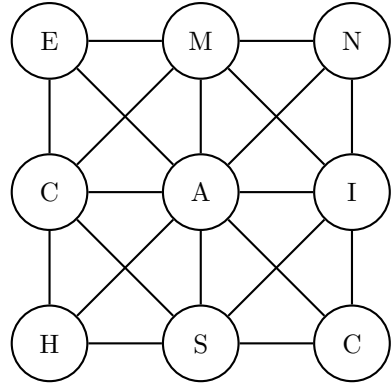
Number 96



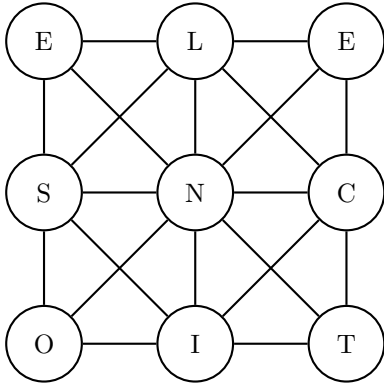
Number 97



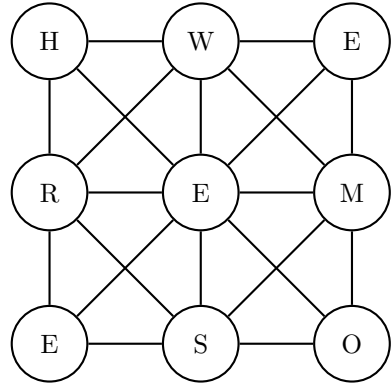
Number 98



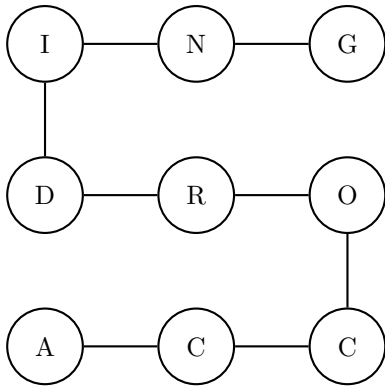
Number 99



Number 100

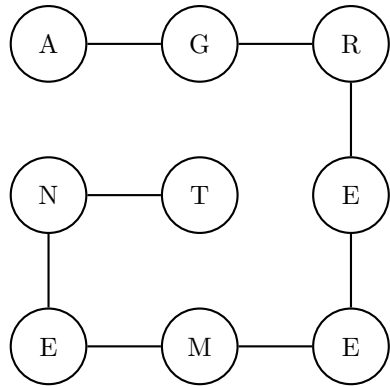


Number 1



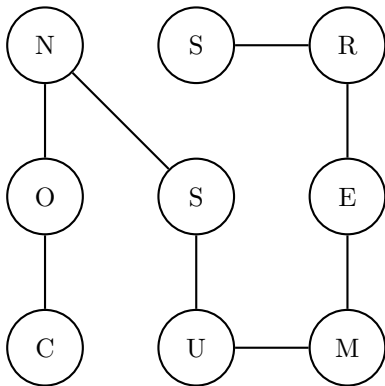
ACCORDING

Number 2



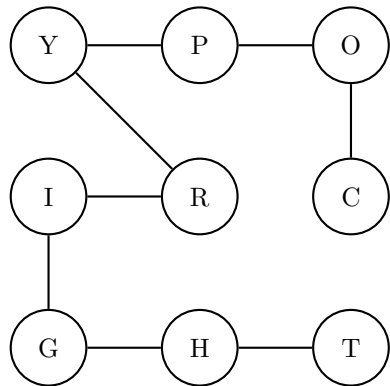
AGREEMENT

Number 3



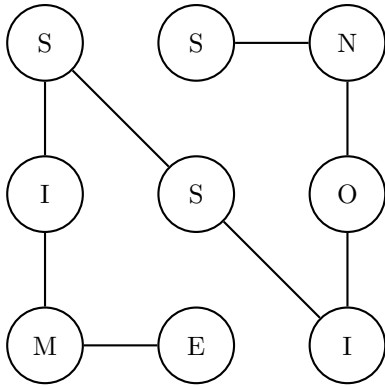
CONSUMERS

Number 4



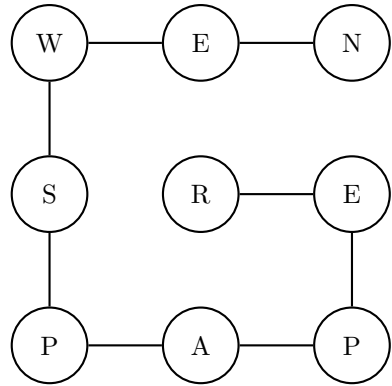
COPYRIGHT

Number 5



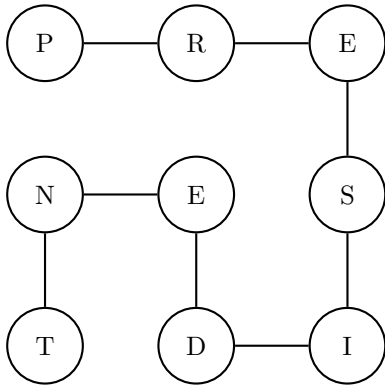
EMISSIONS

Number 6



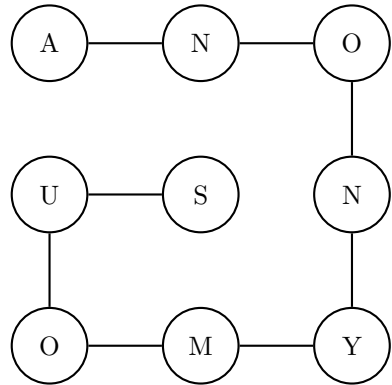
NEWSPAPER

Number 7



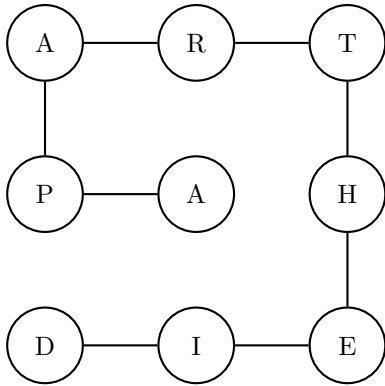
PRESIDENT

Number 8



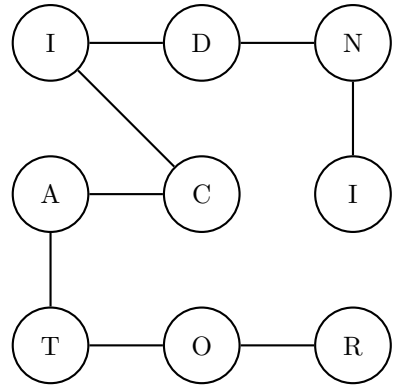
ANONYMOUS

Number 9



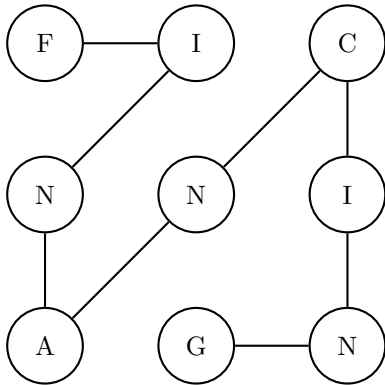
APARTHEID

Number 10



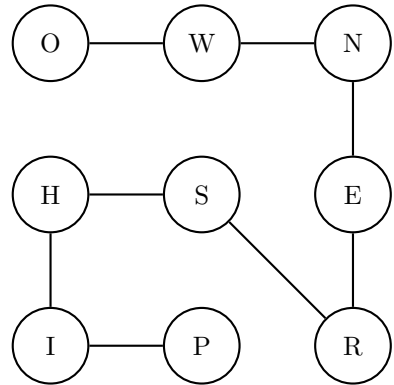
INDICATOR

Number 11



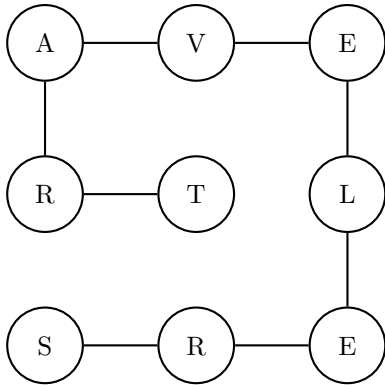
FINANCING

Number 12



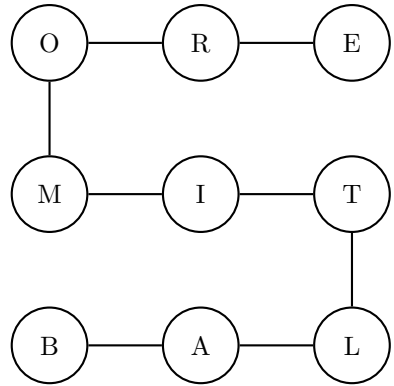
OWNERSHIP

Number 13



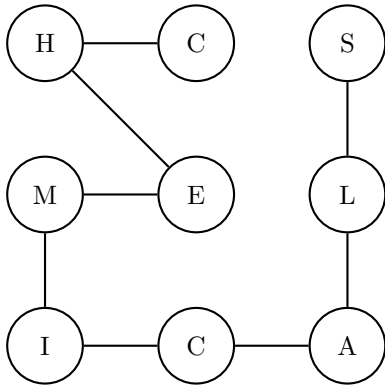
TRAVELERS

Number 14



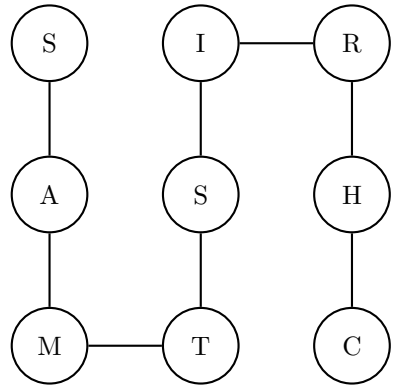
BALTIMORE

Number 15



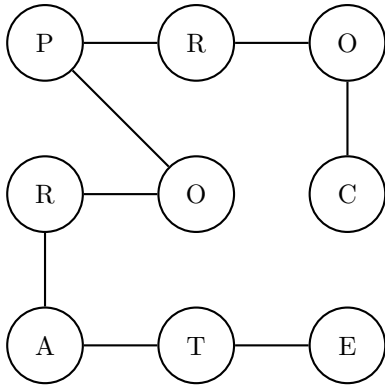
CHEMICALS

Number 16



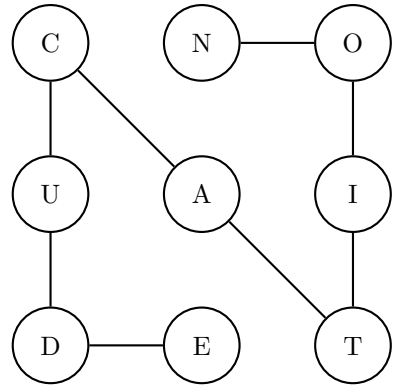
CHRISTMAS

Number 17



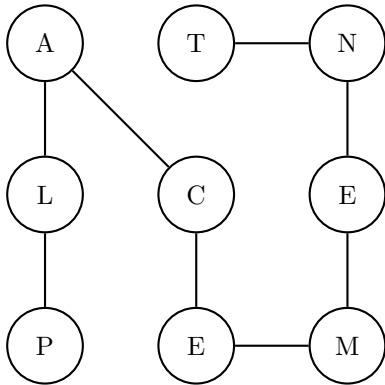
CORPORATE

Number 18



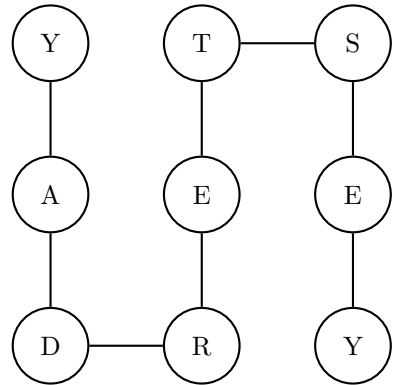
EDUCATION

Number 19



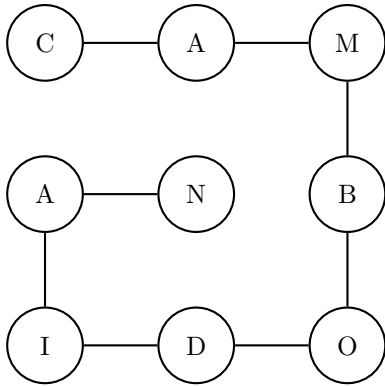
PLACEMENT

Number 20



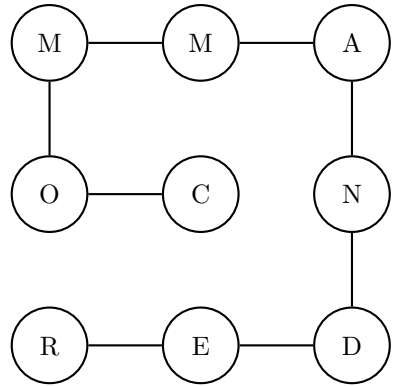
YESTERDAY

Number 21



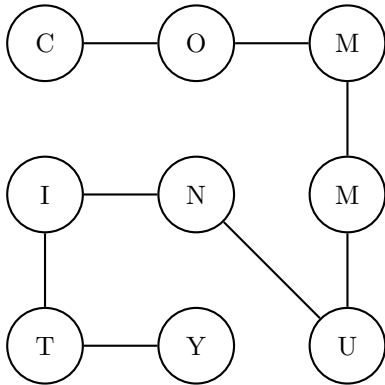
CAMBODIAN

Number 22



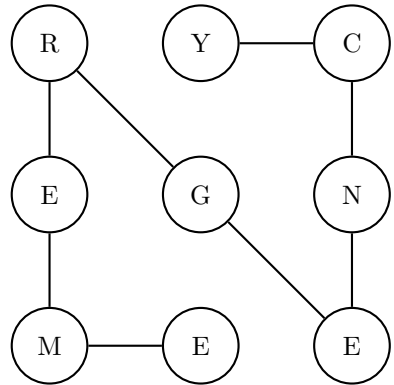
COMMANDER

Number 23



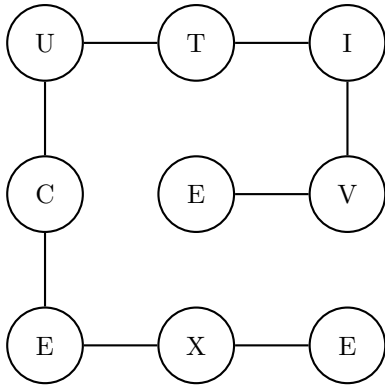
COMMUNITY

Number 24



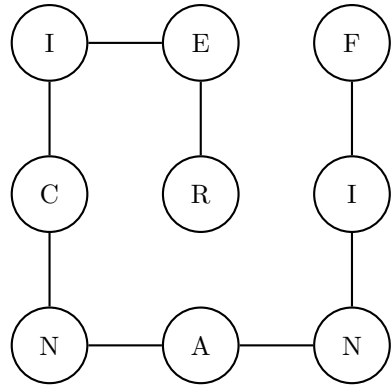
EMERGENCY

Number 25



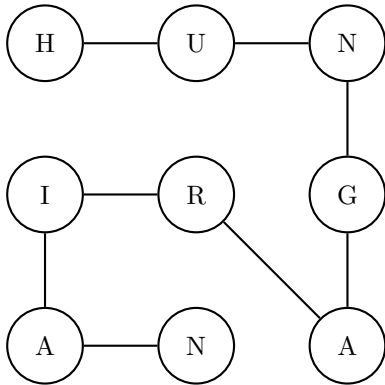
EXECUTIVE

Number 26



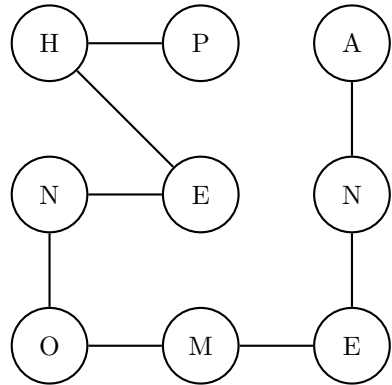
FINANCIER

Number 27



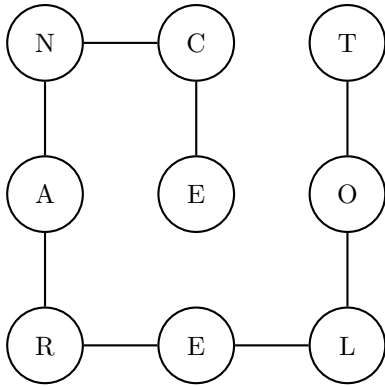
HUNGARIAN

Number 28



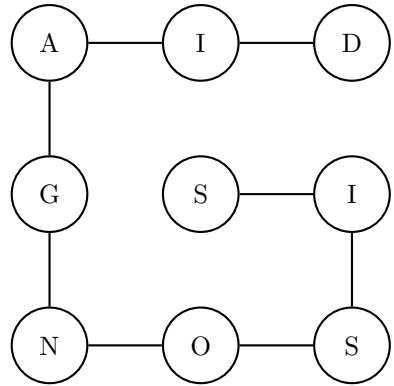
PHENOMENA

Number 29



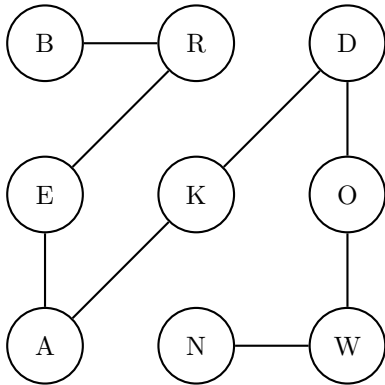
TOLERANCE

Number 30



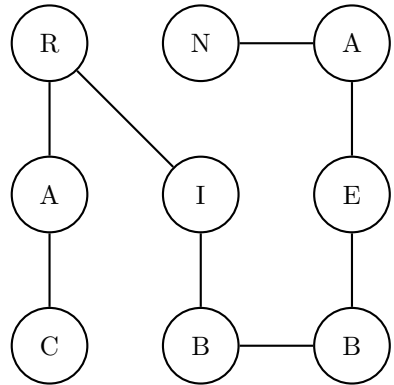
DIAGNOSIS

Number 31



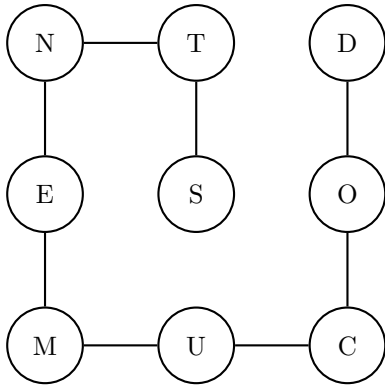
BREAKDOWN

Number 32



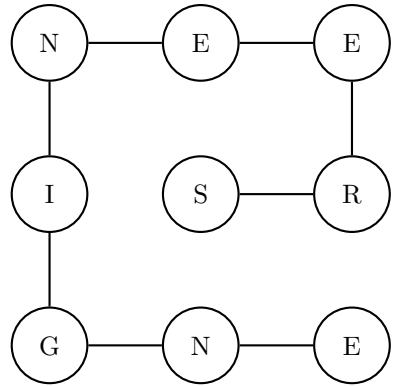
CARIBBEAN

Number 33



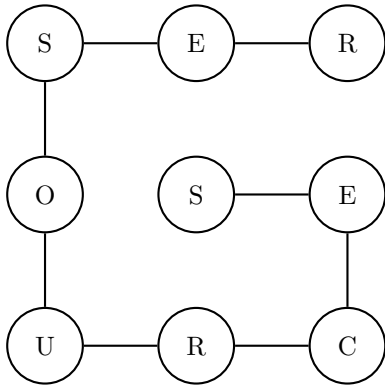
DOCUMENTS

Number 34



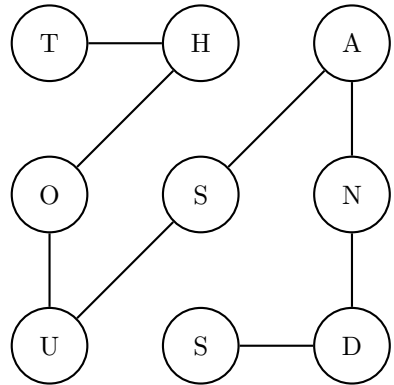
ENGINEERS

Number 35



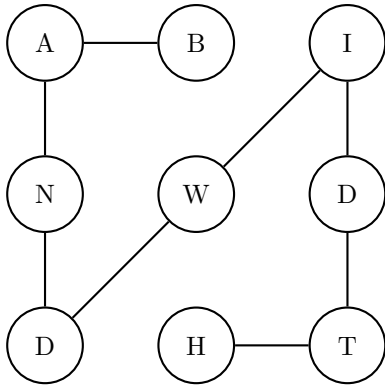
RESOURCES

Number 36



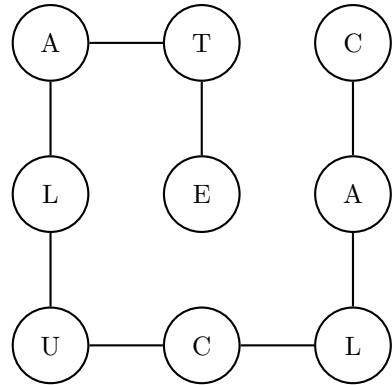
THOUSANDS

Number 37



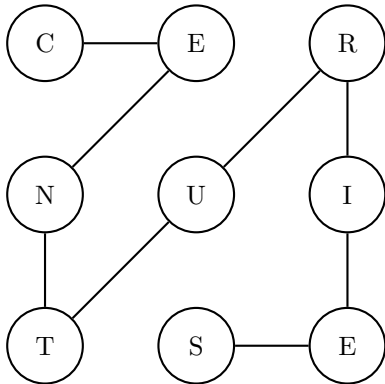
BANDWIDTH

Number 38



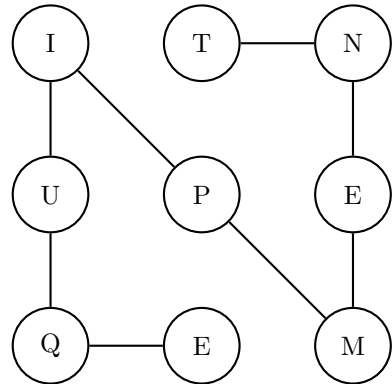
CALCULATE

Number 39



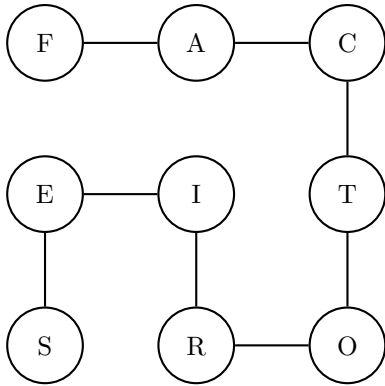
CENTURIES

Number 40



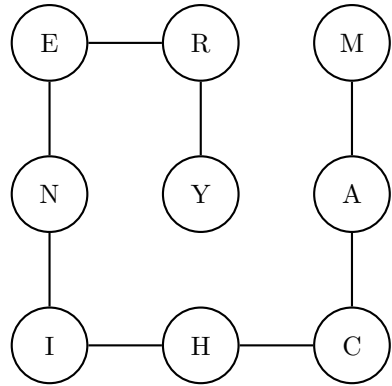
EQUIPMENT

Number 41



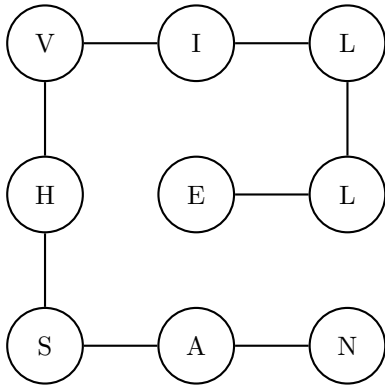
FACTORIES

Number 42



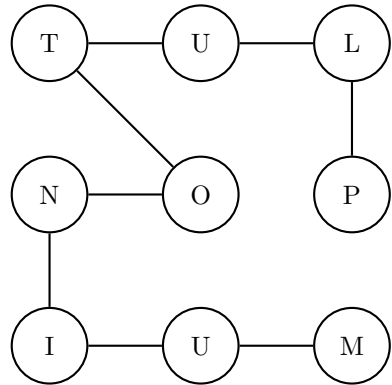
MACHINERY

Number 43



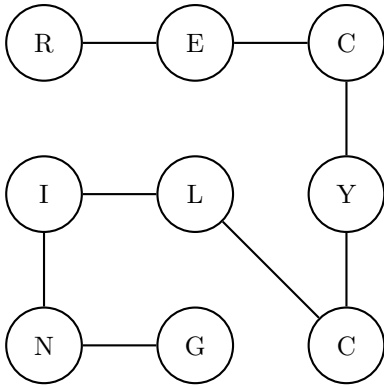
NASHVILLE

Number 44



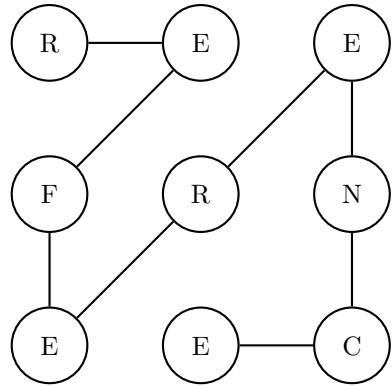
PLUTONIUM

Number 45



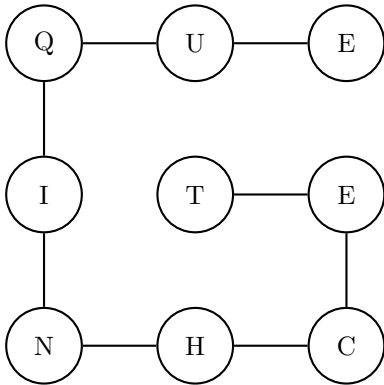
RECYCLING

Number 46



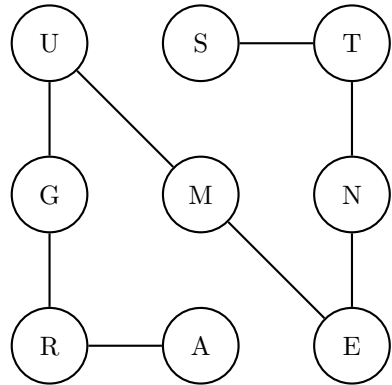
REFERENCE

Number 47



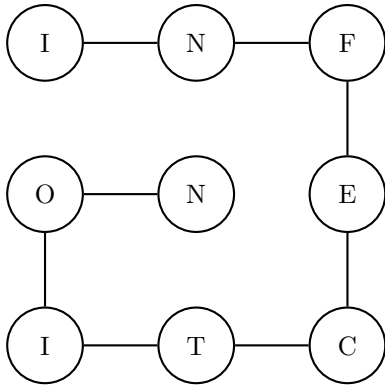
TECHNIQUE

Number 48



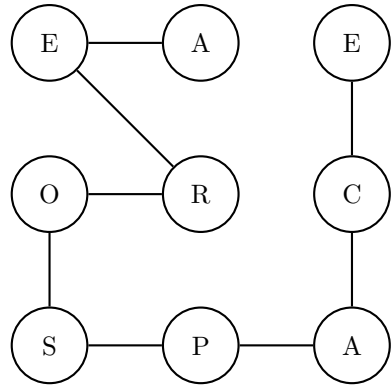
ARGUMENTS

Number 49



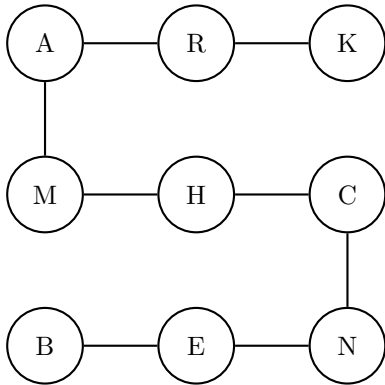
INFECTION

Number 50



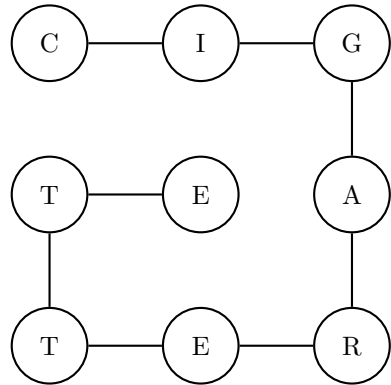
AEROSPACE

Number 51



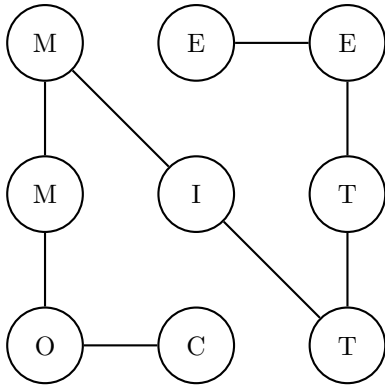
BENCHMARK

Number 52



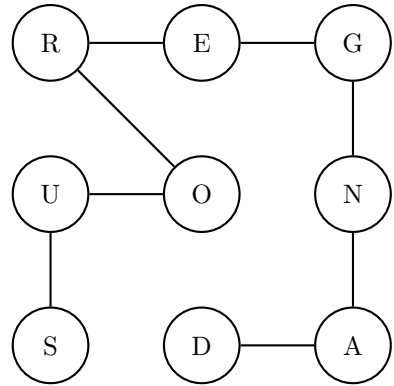
CIGARETTE

Number 53



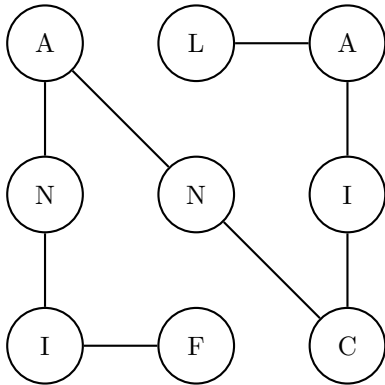
COMMITTEE

Number 54



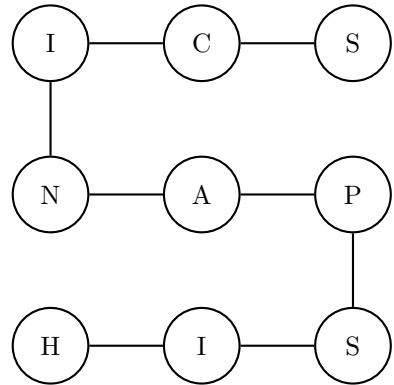
DANGEROUS

Number 55



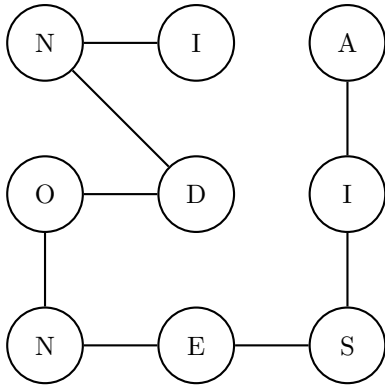
FINANCIAL

Number 56



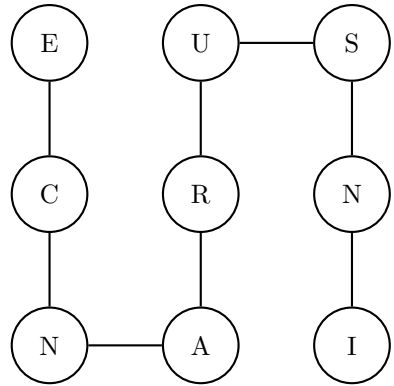
HISPANICS

Number 57



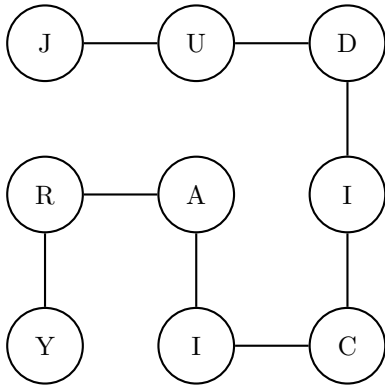
INDONESIA

Number 58



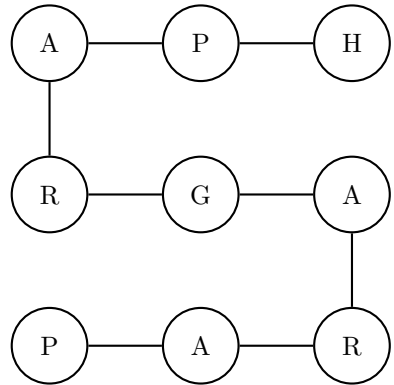
INSURANCE

Number 59



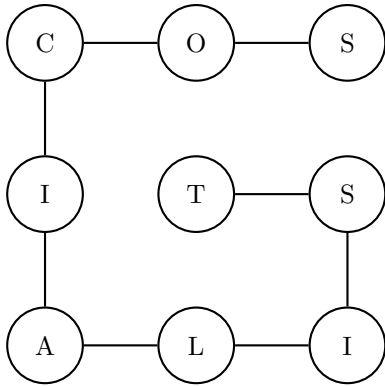
JUDICIARY

Number 60



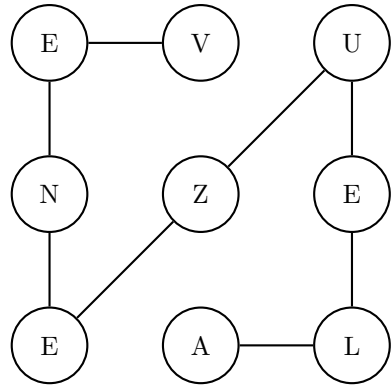
PARAGRAPH

Number 61



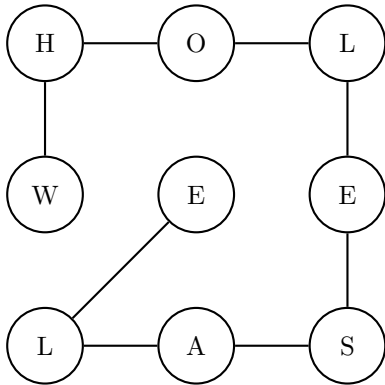
SOCIALIST

Number 62



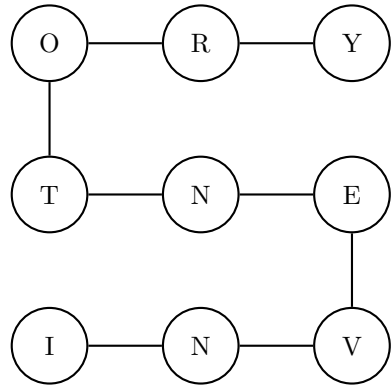
VENEZUELA

Number 63



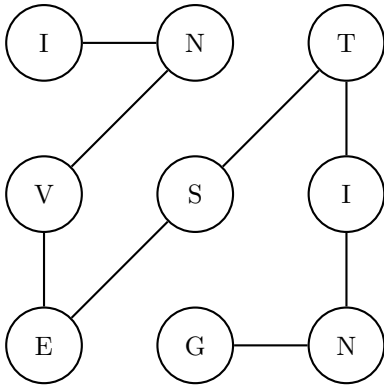
WHOLESALE

Number 64



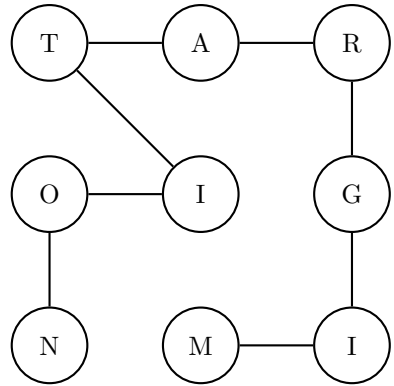
INVENTORY

Number 65



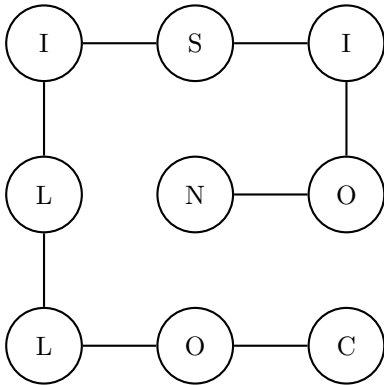
INVESTING

Number 66



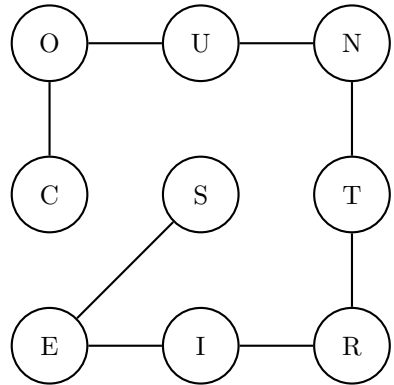
MIGRATION

Number 67



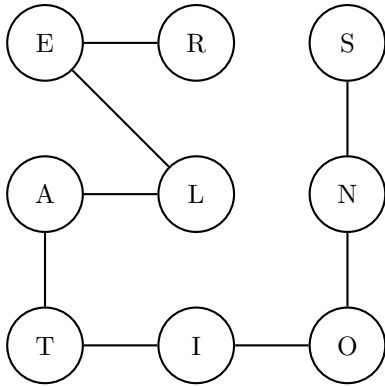
COLLISION

Number 68



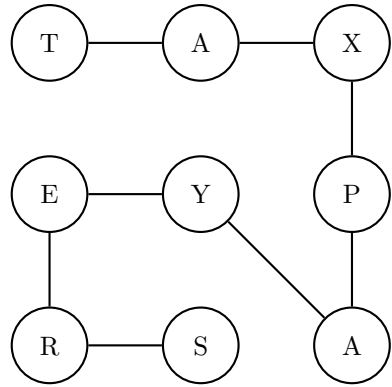
COUNTRIES

Number 69



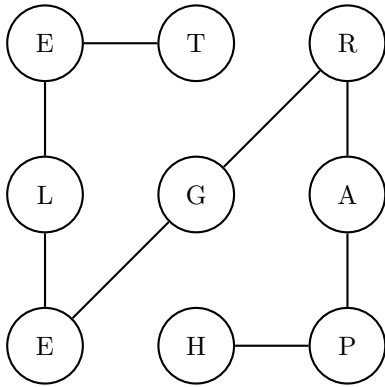
RELATIONS

Number 70



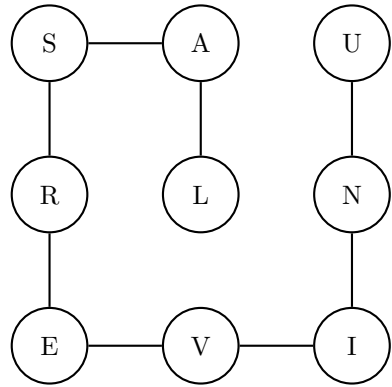
TAXPAYERS

Number 71



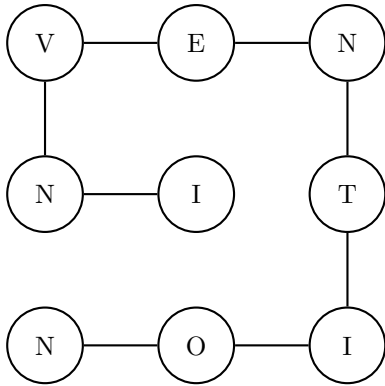
TELEGRAPH

Number 72



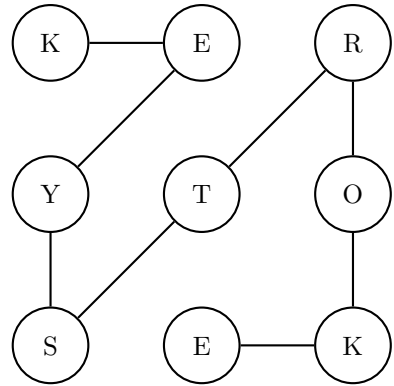
UNIVERSAL

Number 73



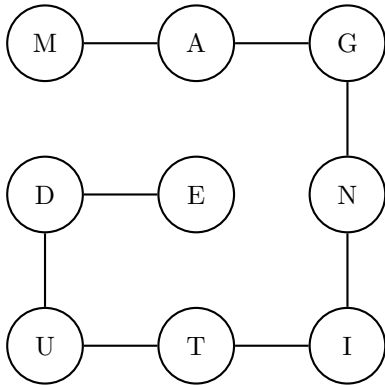
INVENTION

Number 74



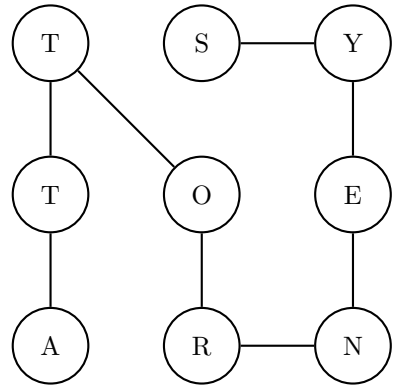
KEYSTROKE

Number 75



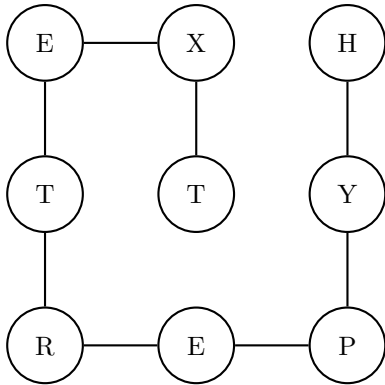
MAGNITUDE

Number 76



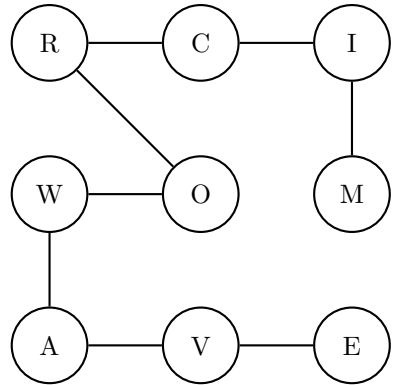
ATTORNEYS

Number 77



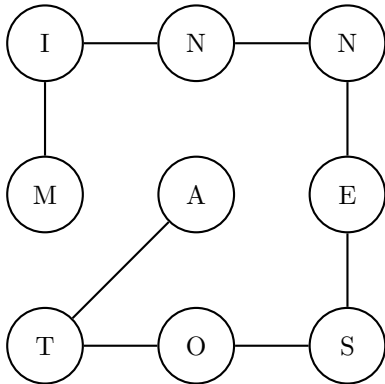
HYPERTEXT

Number 78



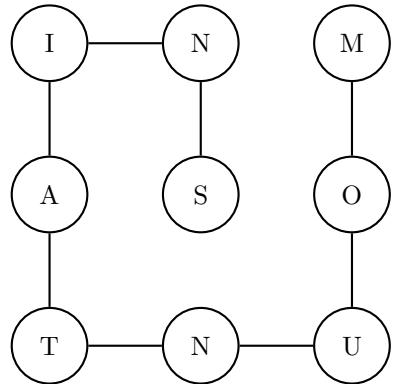
MICROWAVE

Number 79



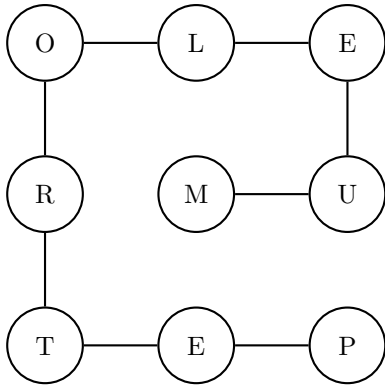
MINNESOTA

Number 80



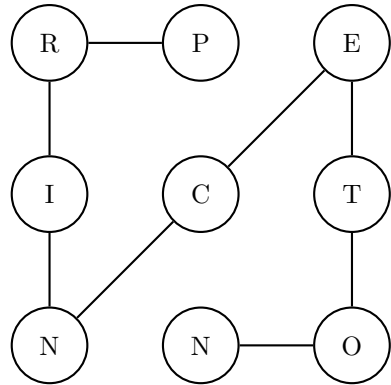
MOUNTAINS

Number 81



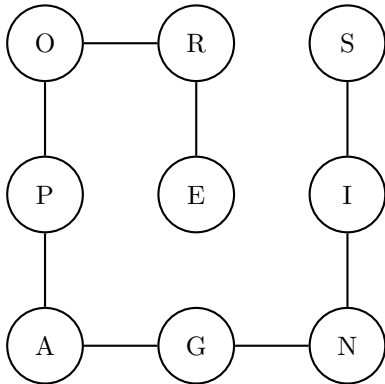
PETROLEUM

Number 82



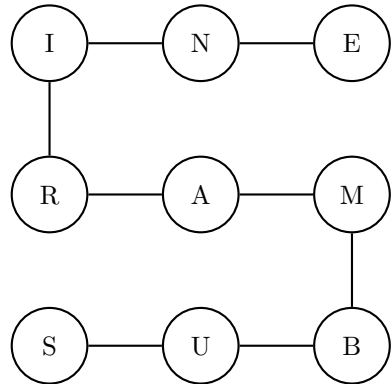
PRINCETON

Number 83



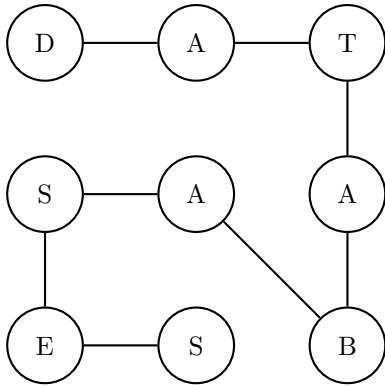
SINGAPORE

Number 84



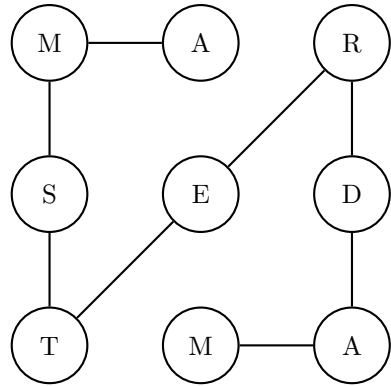
SUBMARINE

Number 85



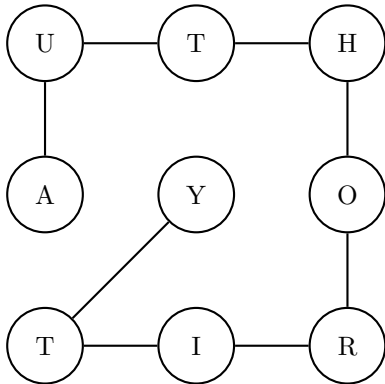
DATABASES

Number 86



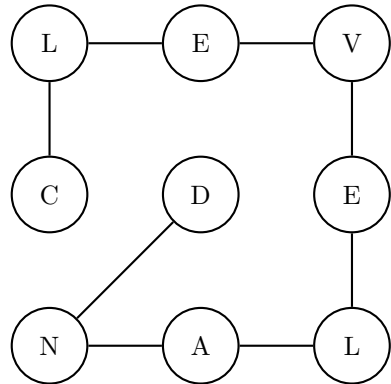
AMSTERDAM

Number 87



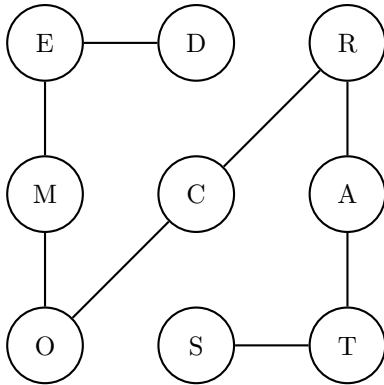
AUTHORITY

Number 88



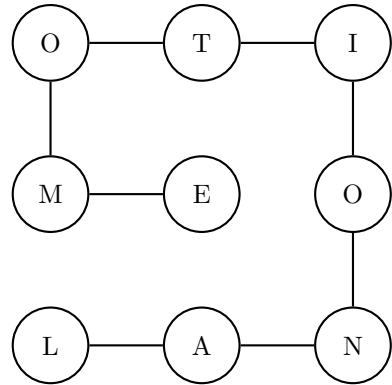
CLEVELAND

Number 89



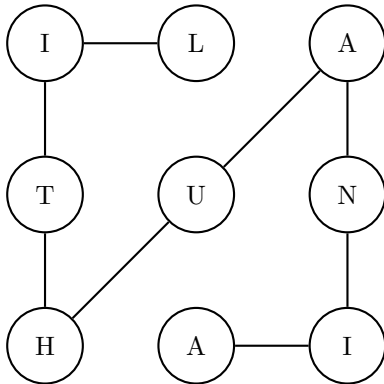
DEMOCRATS

Number 90



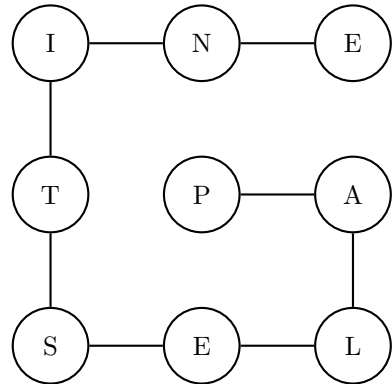
EMOTIONAL

Number 91



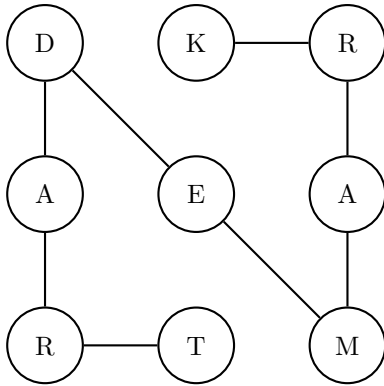
LITHUANIA

Number 92



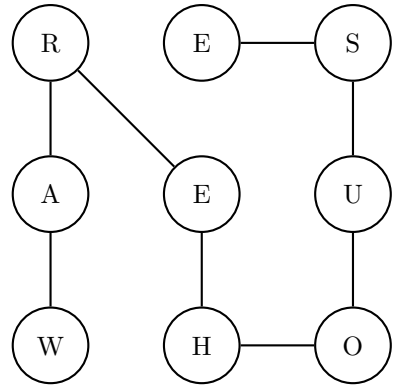
PALESTINE

Number 93



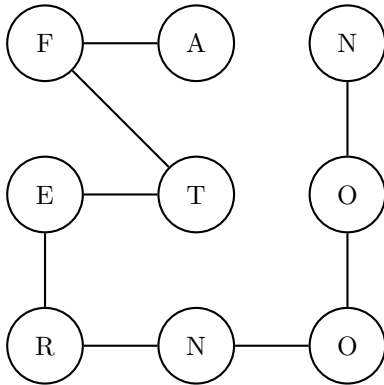
TRADEMARK

Number 94



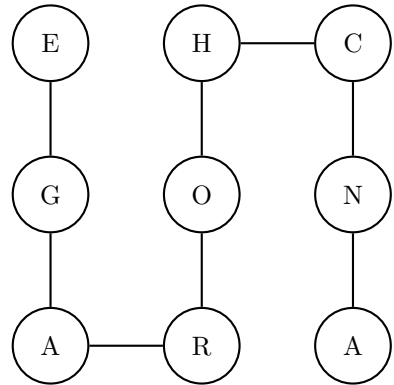
WAREHOUSE

Number 95



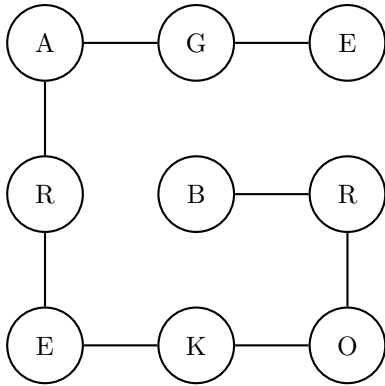
AFTERNOON

Number 96



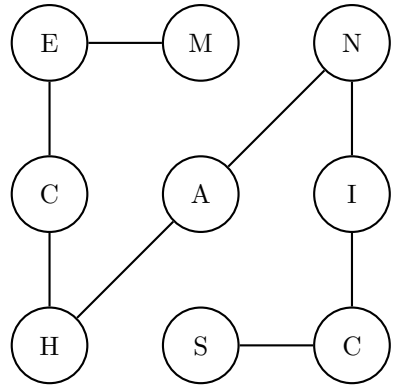
ANCHORAGE

Number 97



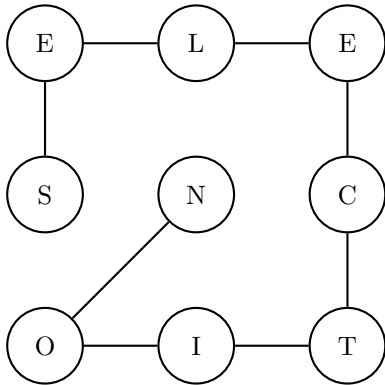
BROKERAGE

Number 98



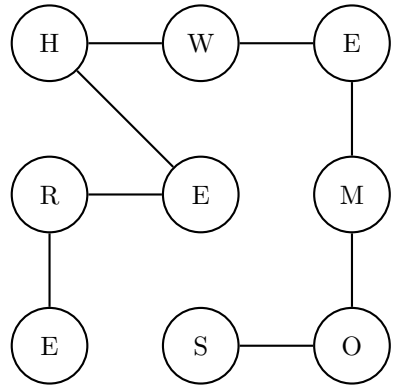
MECHANICS

Number 99



SELECTION

Number 100



SOMEWHERE