

100 Word Letter puzzle with 9 letters

Sascha Frank

June 26, 2012

Connect the letters in such a way that they spell a word. Each letter is only used once and it is not allowed that the lines intersect. There are 100 different puzzles to solve for each of them is a short solution at the end.

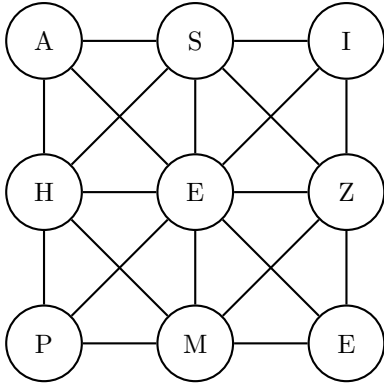
With the kind support of:

decodoo.de, www.moebel-zeit.com and www.shiptu.de

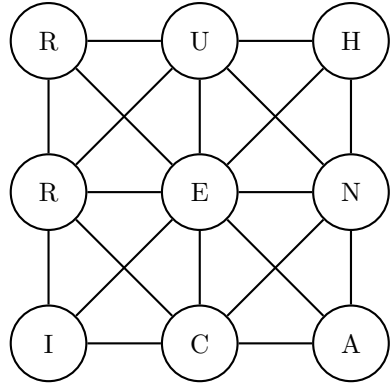
Looking for these words:

AIRPLANES	DIFFICULT	HOUSEHOLD	PUBLISHER
ALGORITHM	DIPLOMATS	HURRICANE	RESIDENTS
AMENDMENT	DIRECTORY	INFLUENCE	ROCHESTER
APARTMENT	DISCOVERY	INSPECTOR	SCENARIOS
ARCHITECT	DISTRICTS	INSTITUTE	SEQUENCES
ARGENTINA	DOMINANCE	INVESTORS	SHAREWARE
ARLINGTON	ECONOMICS	KEYBOARDS	SHIPMENTS
ASSISTANT	ECONOMIES	LANDSCAPE	SOLUTIONS
BATTERIES	EMPHASIZE	LANGUAGES	SOUTHEAST
BRAZILIAN	EMPLOYEES	LIBRARIES	SOUTHWEST
BREAKFAST	EMPLOYERS	LOCATIONS	STANDARDS
BUILDINGS	EMULATION	LOUISIANA	STOCKHOLM
CAMBRIDGE	ENCOUNTER	MARKETING	TECHNICAL
CAMPAIGNS	EQUATIONS	MUSICIANS	TENNESSEE
CANDIDATE	EVERYBODY	NICARAGUA	TESTIMONY
CHALLENGE	EXPLOSION	NIGHTMARE	TRANSPORT
CHILDHOOD	FACSIMILE	NORTHEAST	TREATMENT
CHRISTIAN	FOLLOWERS	NORTHWEST	UTILITIES
COLOMBIAN	FOLLOWING	OPERATION	WEDNESDAY
COMMUNIST	FRAMEWORK	PARAMETER	WISCONSIN
COMPANIES	FREQUENCY	PASSENGER	WITNESSES
CONSENSUS	GUARANTEE	POLICEMAN	WORKFORCE
CUSTOMERS	HAMPSHIRE	POLICEMEN	WORKPLACE
DAUGHTERS	HOLLYWOOD	POLLUTION	WORKSHEET
DEMOCRACY	HOSPITALS	PORTFOLIO	WORLDWIDE

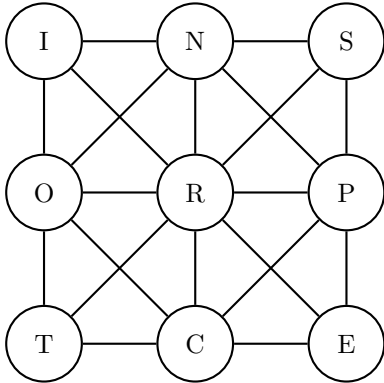
Number 1



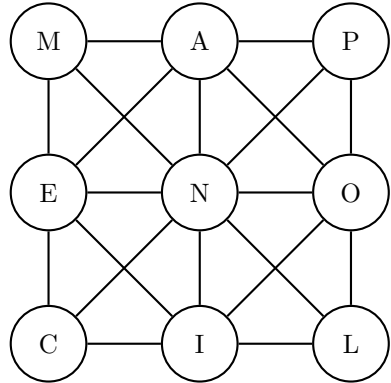
Number 2



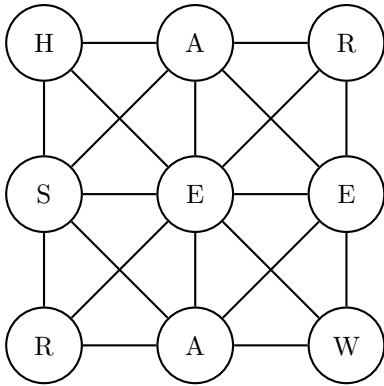
Number 3



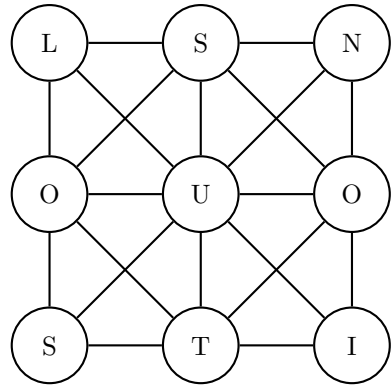
Number 4



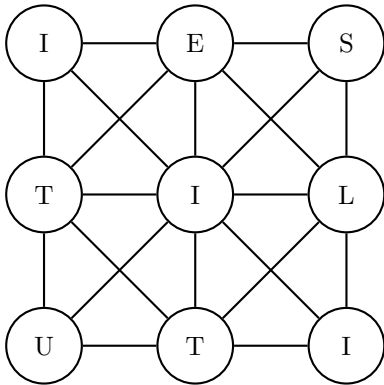
Number 5



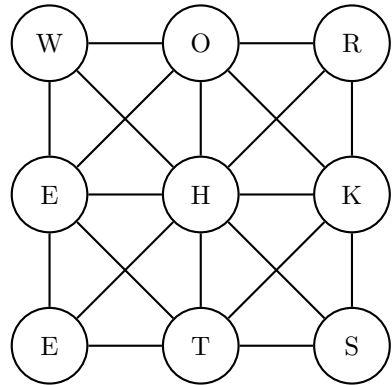
Number 6



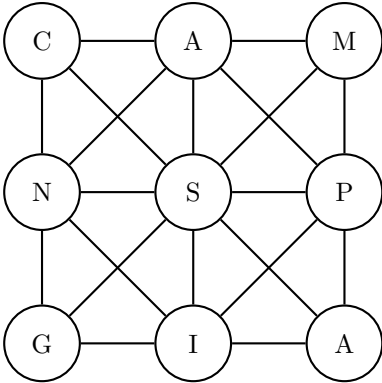
Number 7



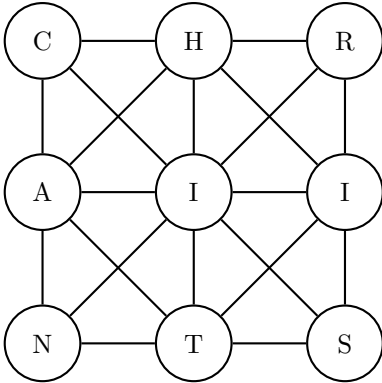
Number 8



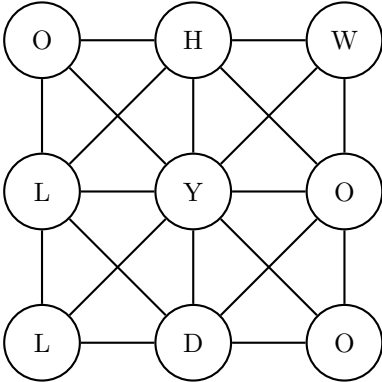
Number 9



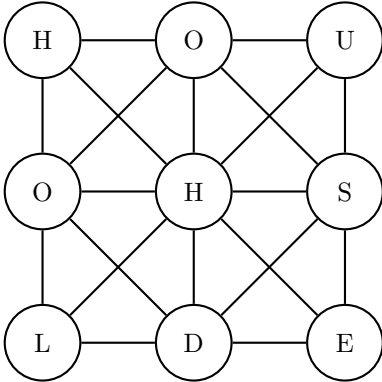
Number 10



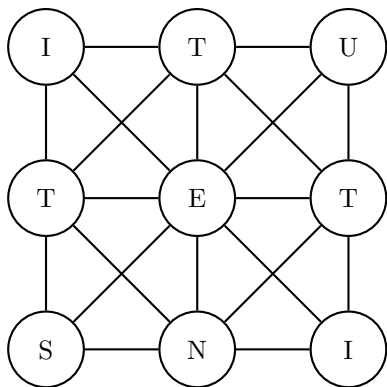
Number 11



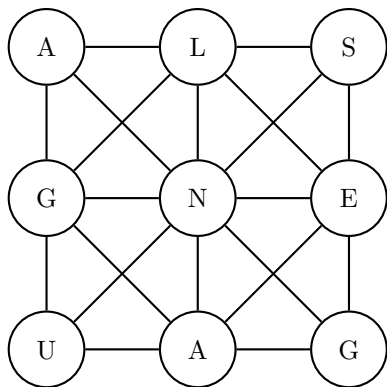
Number 12



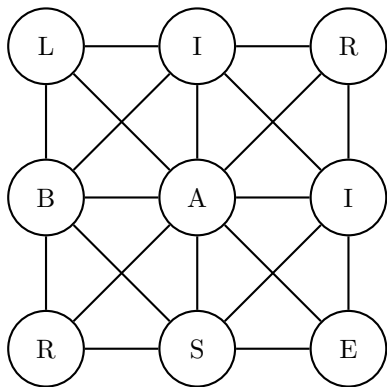
Number 13



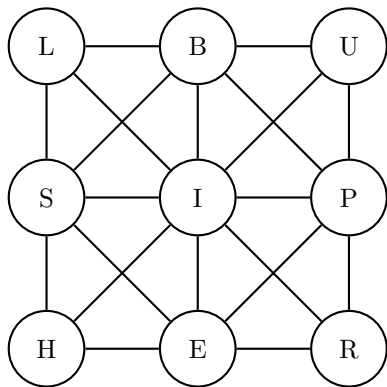
Number 14



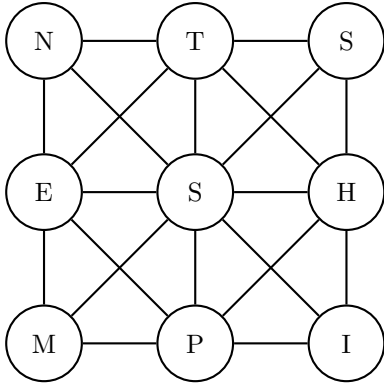
Number 15



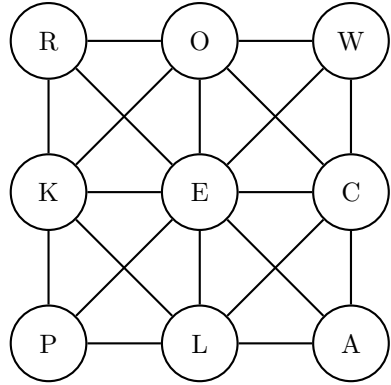
Number 16



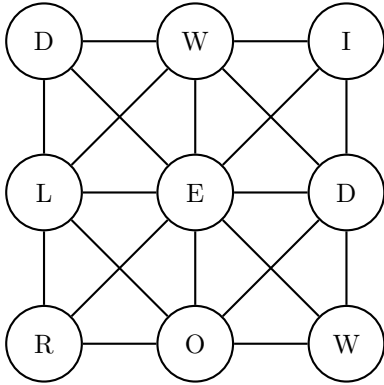
Number 17



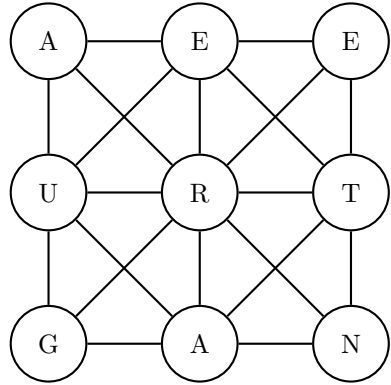
Number 18



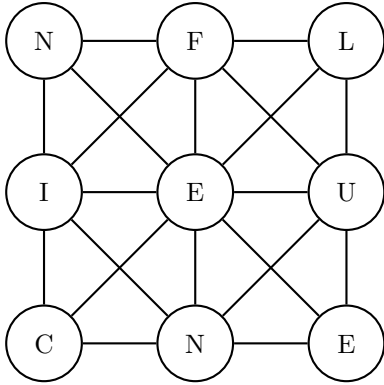
Number 19



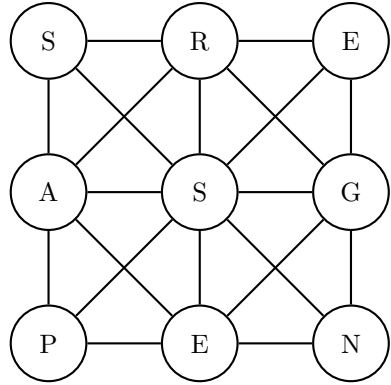
Number 20



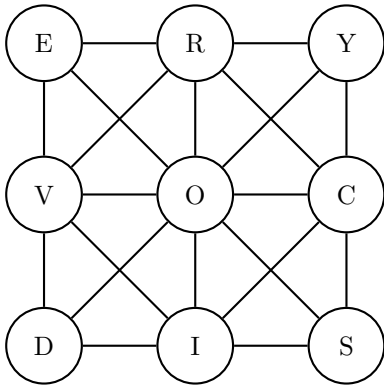
Number 21



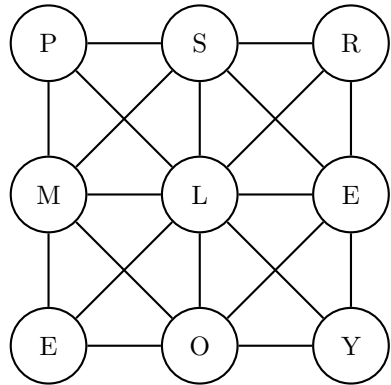
Number 22



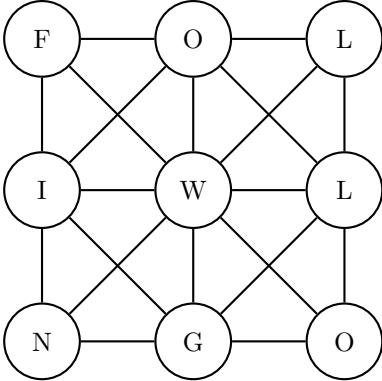
Number 23



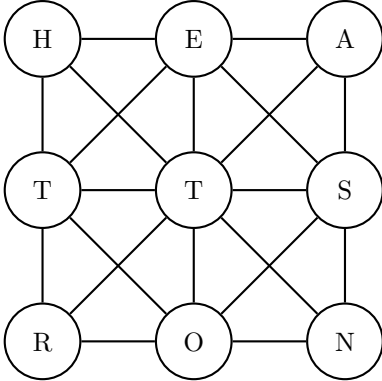
Number 24



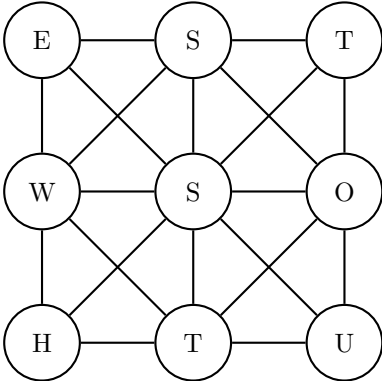
Number 25



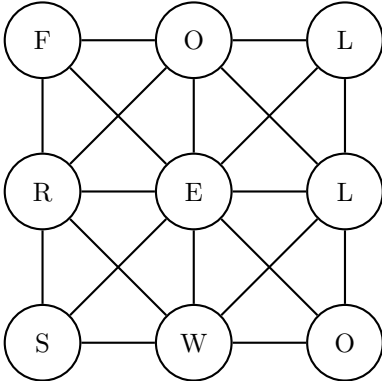
Number 26



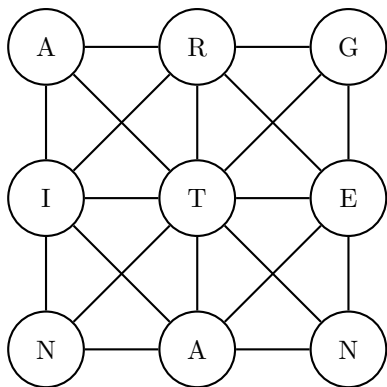
Number 27



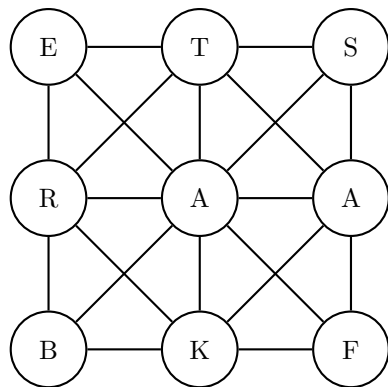
Number 28



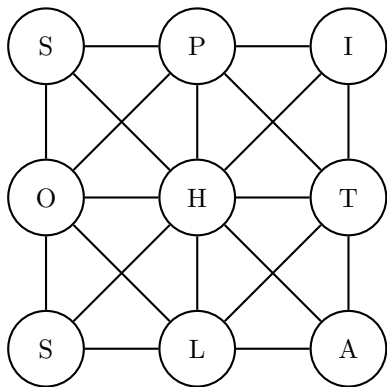
Number 29



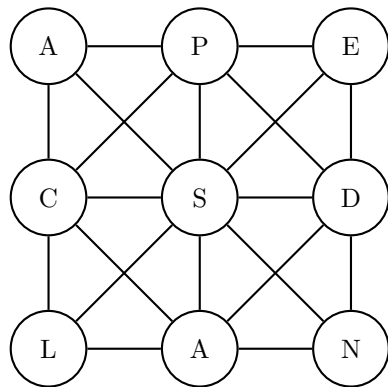
Number 30



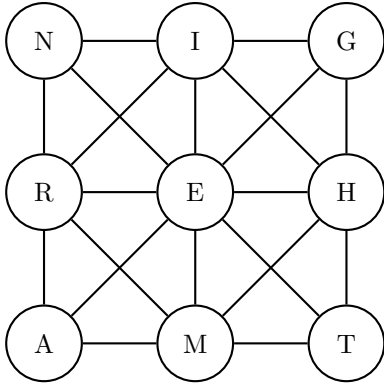
Number 31



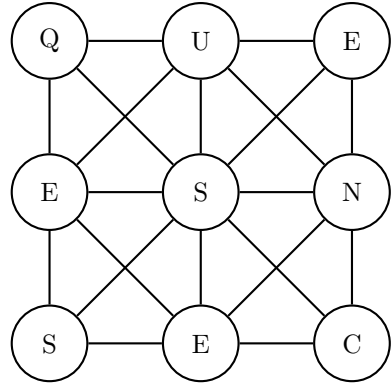
Number 32



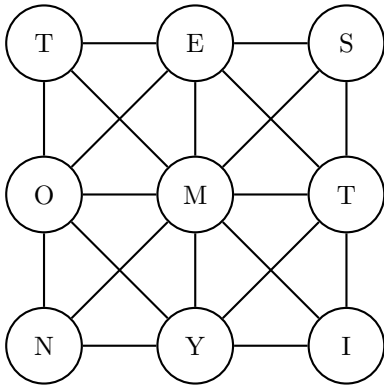
Number 33



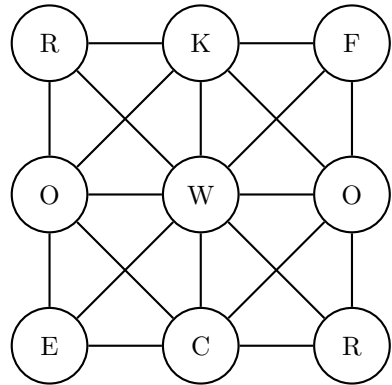
Number 34



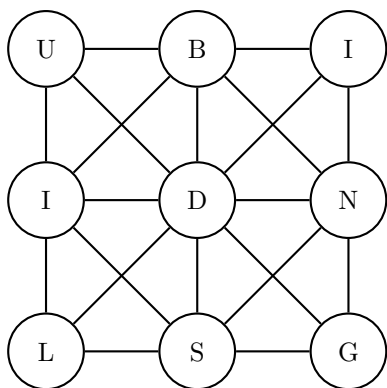
Number 35



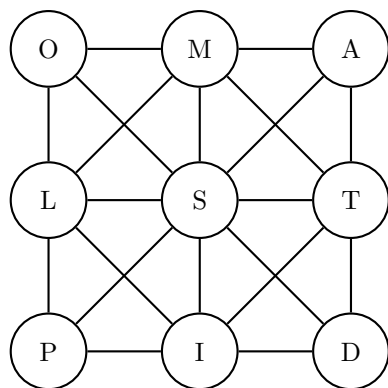
Number 36



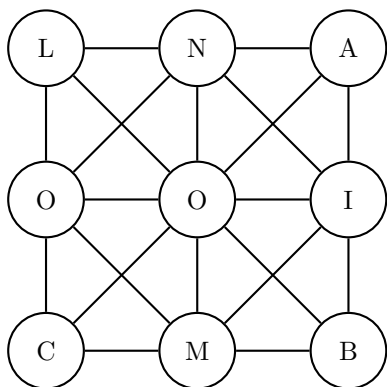
Number 37



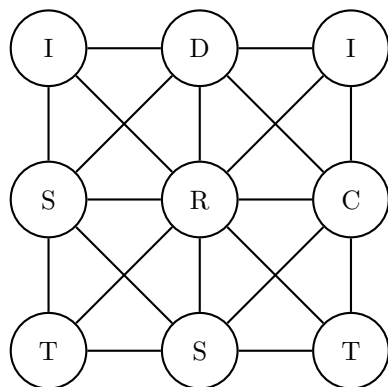
Number 38



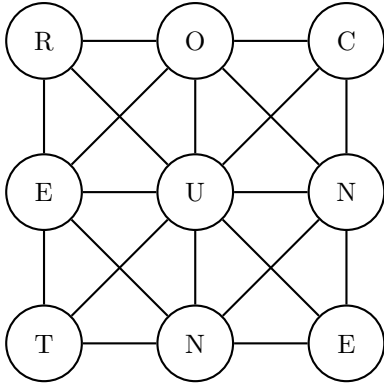
Number 39



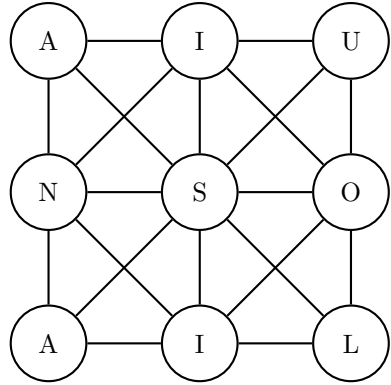
Number 40



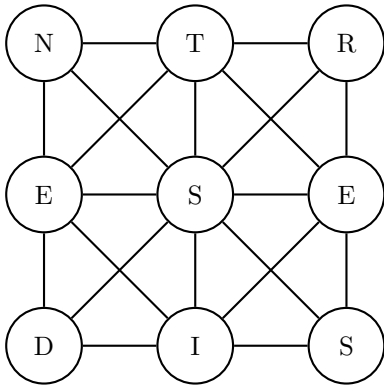
Number 41



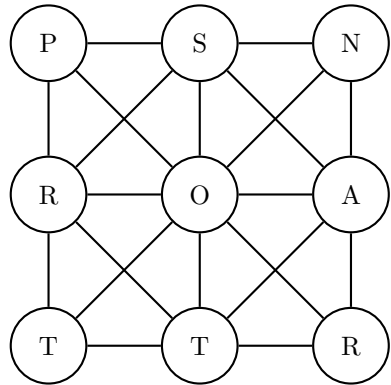
Number 42



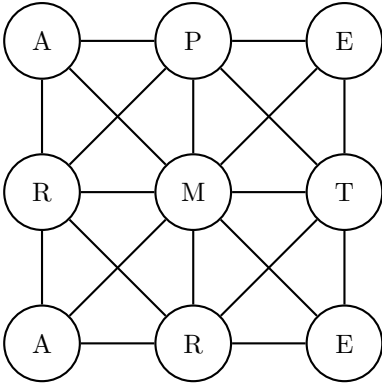
Number 43



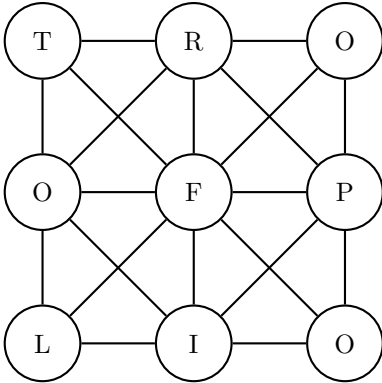
Number 44



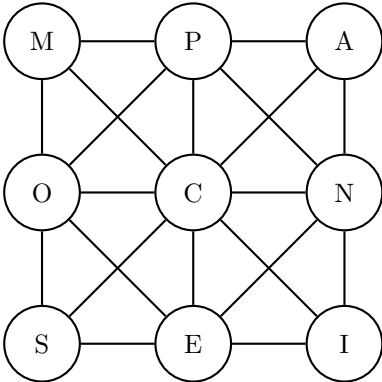
Number 45



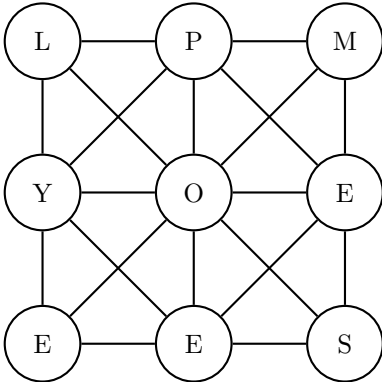
Number 46



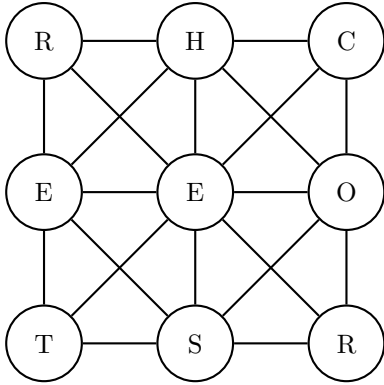
Number 47



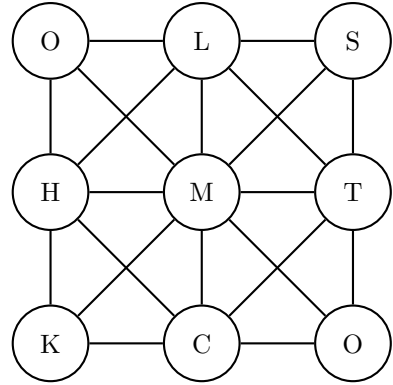
Number 48



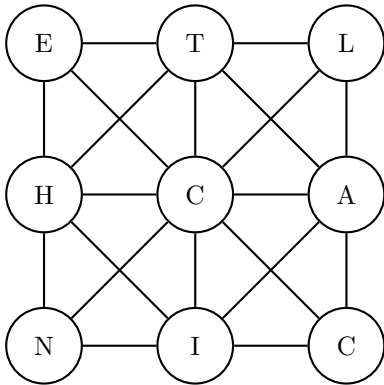
Number 49



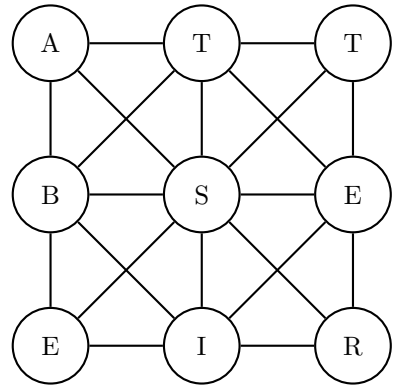
Number 50



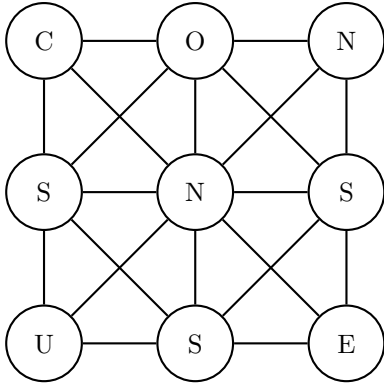
Number 51



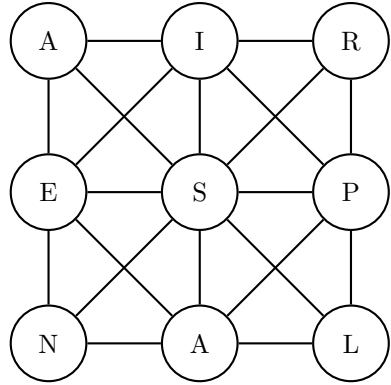
Number 52



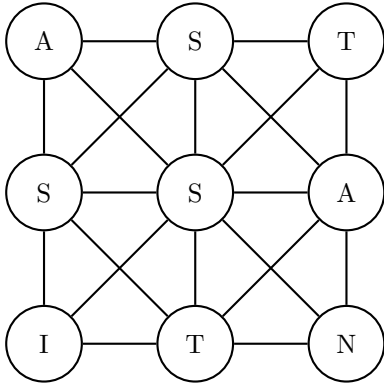
Number 53



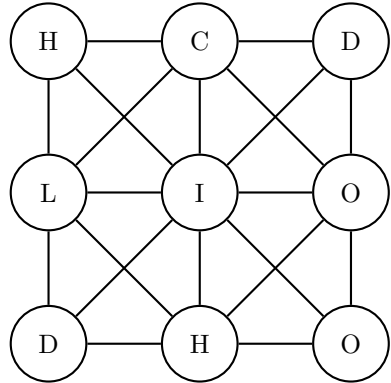
Number 54



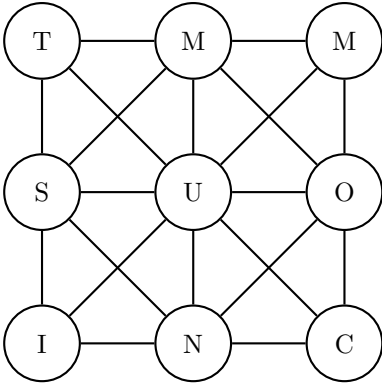
Number 55



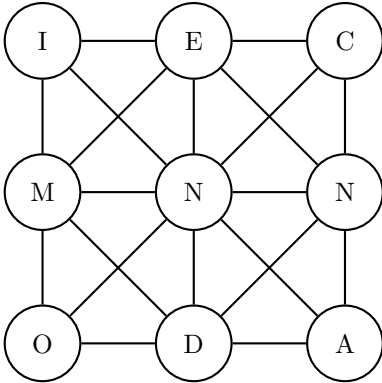
Number 56



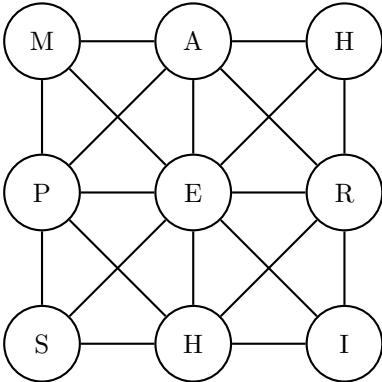
Number 57



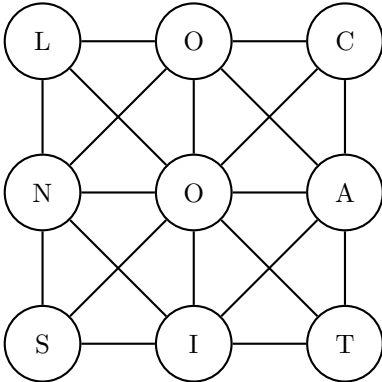
Number 58



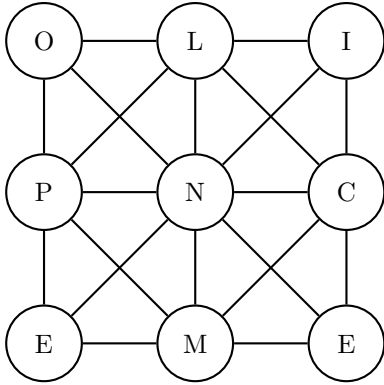
Number 59



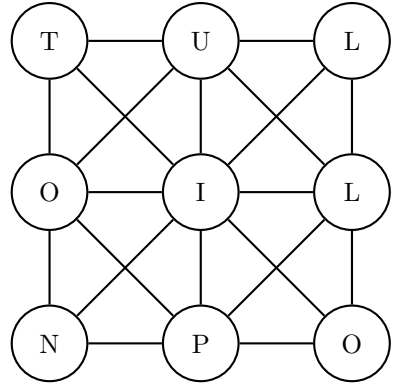
Number 60



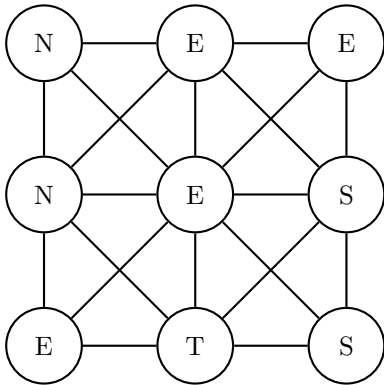
Number 61



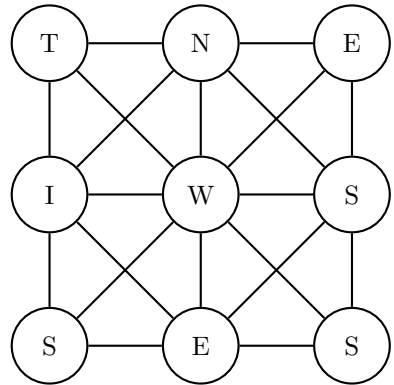
Number 62



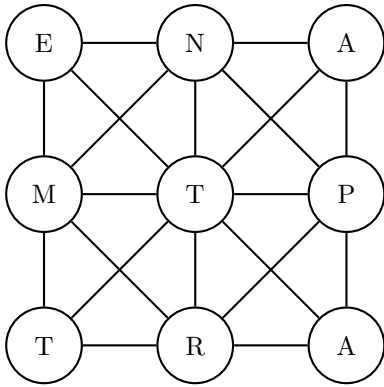
Number 63



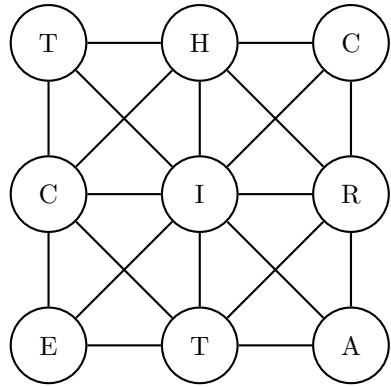
Number 64



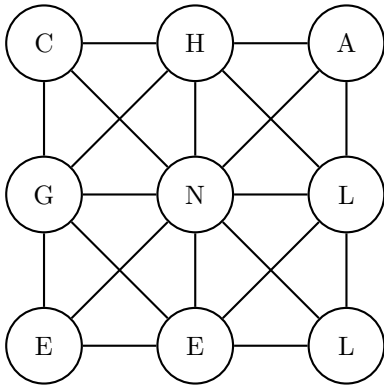
Number 65



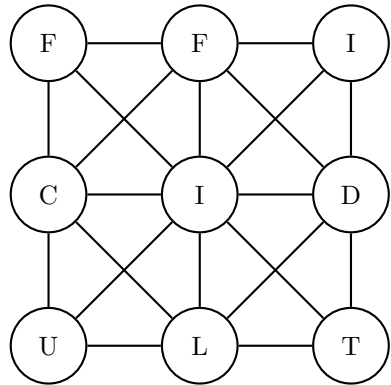
Number 66



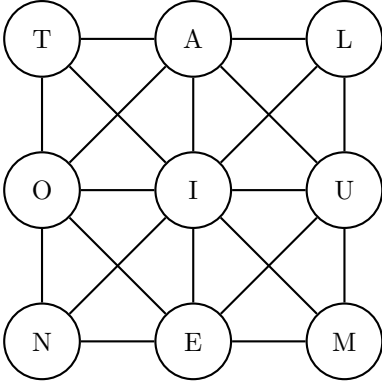
Number 67



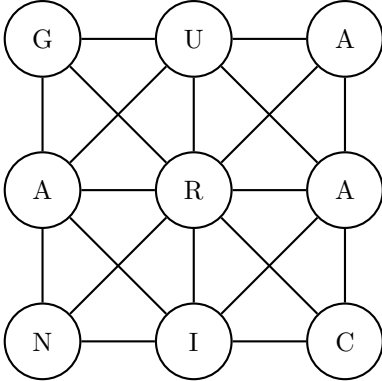
Number 68



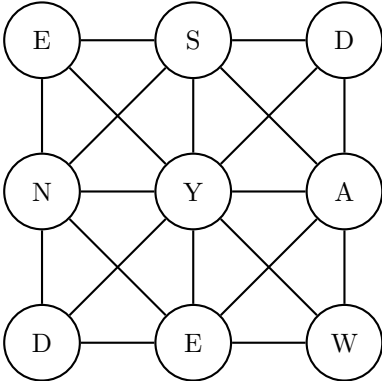
Number 69



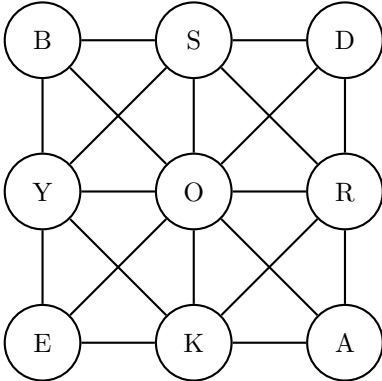
Number 70



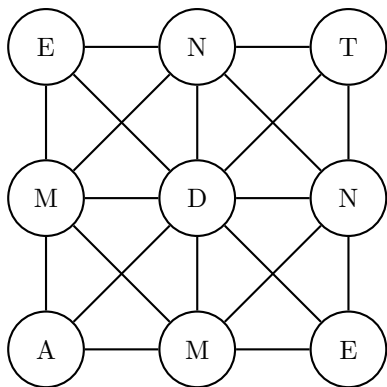
Number 71



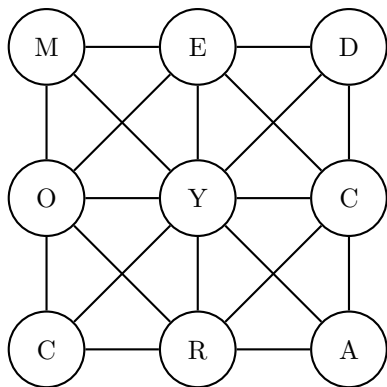
Number 72



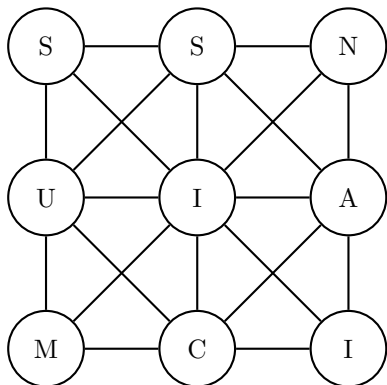
Number 73



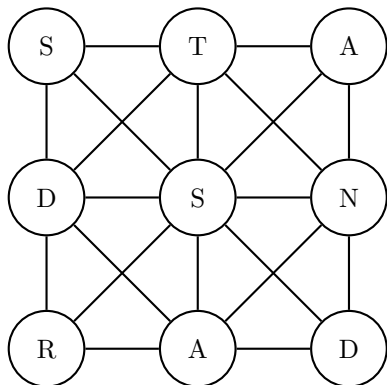
Number 74



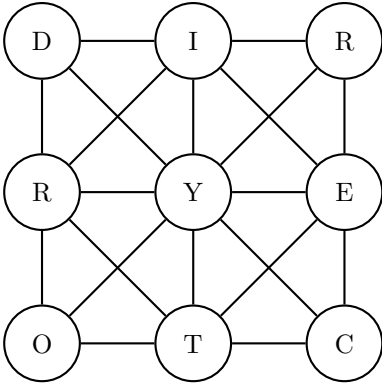
Number 75



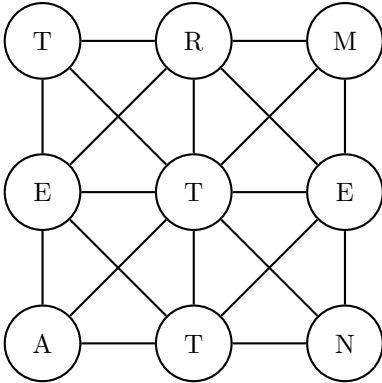
Number 76



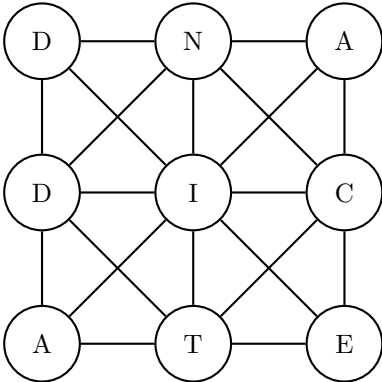
Number 77



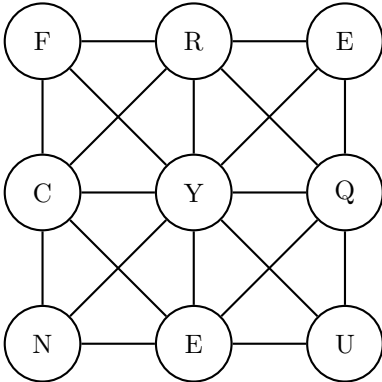
Number 78



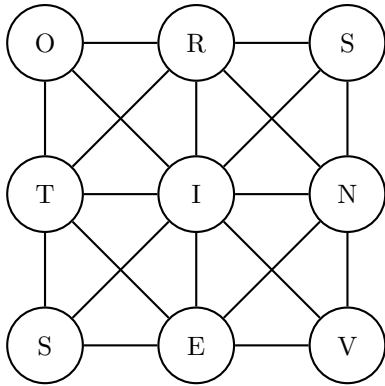
Number 79



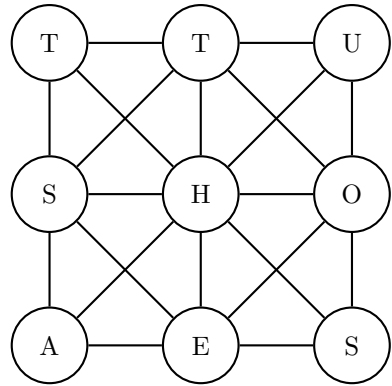
Number 80



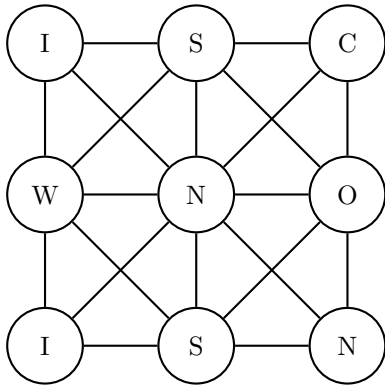
Number 81



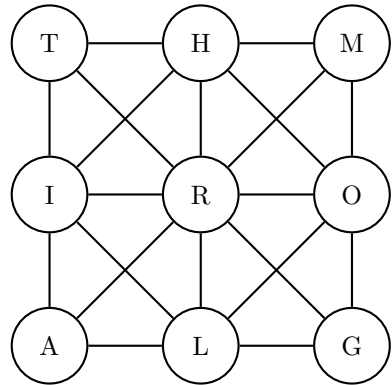
Number 82



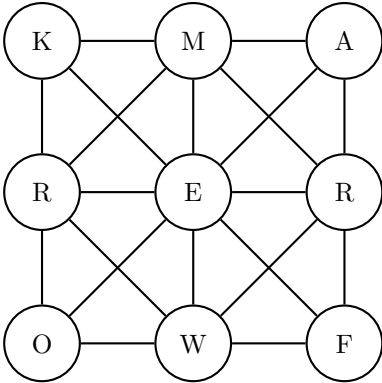
Number 83



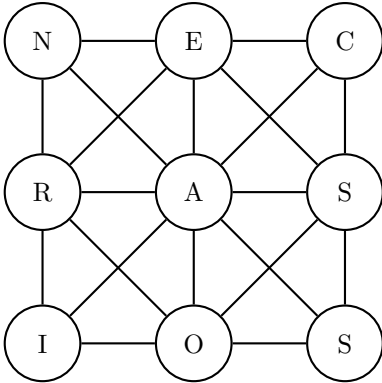
Number 84



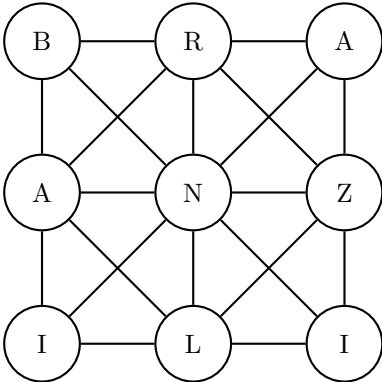
Number 85



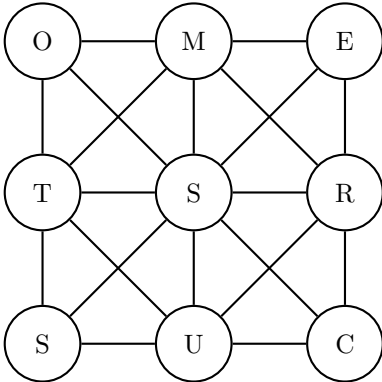
Number 86



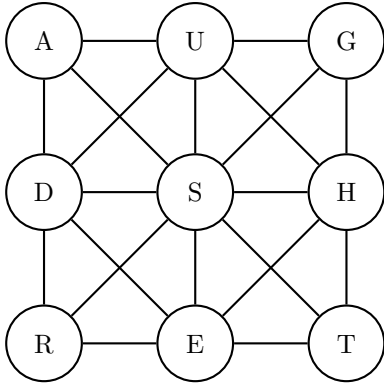
Number 87



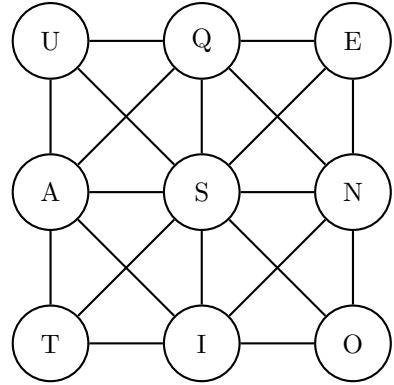
Number 88



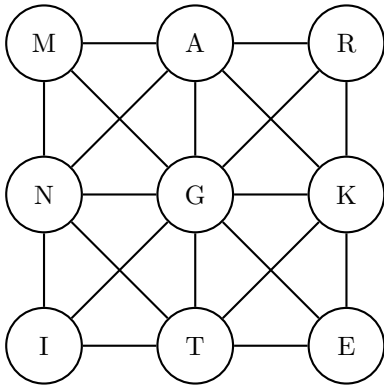
Number 89



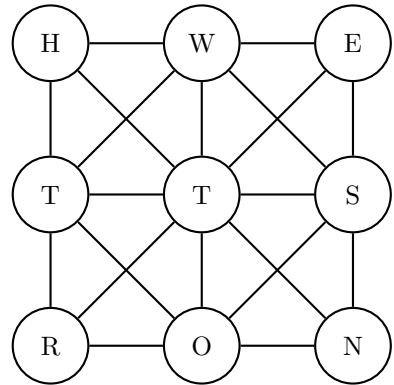
Number 90



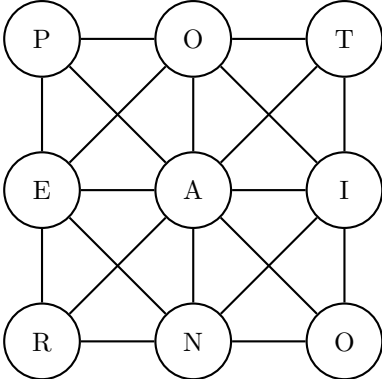
Number 91



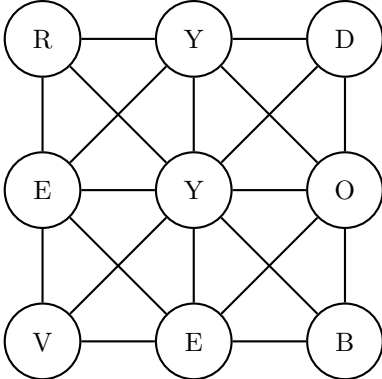
Number 92



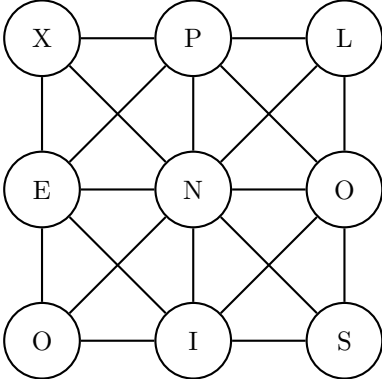
Number 93



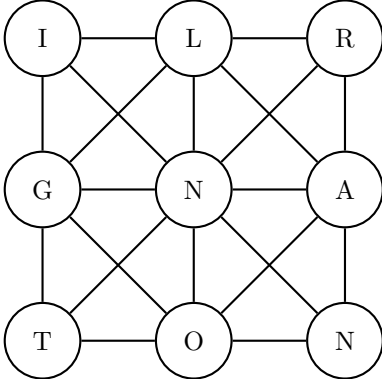
Number 94



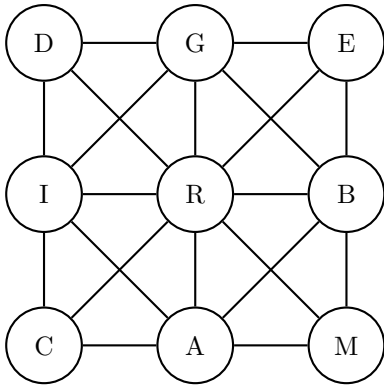
Number 95



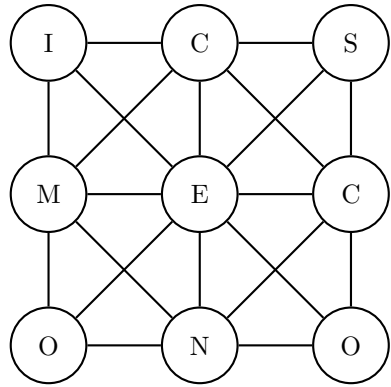
Number 96



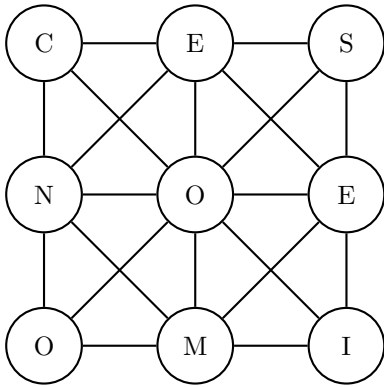
Number 97



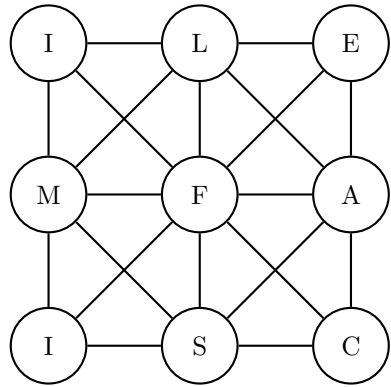
Number 98



Number 99



Number 100



Solution:

- | | | |
|---------------|---------------|----------------|
| 1. EMPHASIZE | 35. TESTIMONY | 69. EMULATION |
| 2. HURRICANE | 36. WORKFORCE | 70. NICARAGUA |
| 3. INSPECTOR | 37. BUILDINGS | 71. WEDNESDAY |
| 4. POLICEMAN | 38. DIPLOMATS | 72. KEYBOARDS |
| 5. SHAREWARE | 39. COLOMBIAN | 73. AMENDMENT |
| 6. SOLUTIONS | 40. DISTRICTS | 74. DEMOCRACY |
| 7. UTILITIES | 41. ENCOUNTER | 75. MUSICIANS |
| 8. WORKSHEET | 42. LOUISIANA | 76. STANDARDS |
| 9. CAMPAIGNS | 43. RESIDENTS | 77. DIRECTORY |
| 10. CHRISTIAN | 44. TRANSPORT | 78. TREATMENT |
| 11. HOLLYWOOD | 45. PARAMETER | 79. CANDIDATE |
| 12. HOUSEHOLD | 46. PORTFOLIO | 80. FREQUENCY |
| 13. INSTITUTE | 47. COMPANIES | 81. INVESTORS |
| 14. LANGUAGES | 48. EMPLOYEES | 82. SOUTHEAST |
| 15. LIBRARIES | 49. ROCHESTER | 83. WISCONSIN |
| 16. PUBLISHER | 50. STOCKHOLM | 84. ALGORITHM |
| 17. SHIPMENTS | 51. TECHNICAL | 85. FRAMEWORK |
| 18. WORKPLACE | 52. BATTERIES | 86. SCENARIOS |
| 19. WORLDWIDE | 53. CONSENSUS | 87. BRAZILIAN |
| 20. GUARANTEE | 54. AIRPLANES | 88. CUSTOMERS |
| 21. INFLUENCE | 55. ASSISTANT | 89. DAUGHTERS |
| 22. PASSENGER | 56. CHILDHOOD | 90. EQUATIONS |
| 23. DISCOVERY | 57. COMMUNIST | 91. MARKETING |
| 24. EMPLOYERS | 58. DOMINANCE | 92. NORTHWEST |
| 25. FOLLOWING | 59. HAMPSHIRE | 93. OPERATION |
| 26. NORTHEAST | 60. LOCATIONS | 94. EVERYBODY |
| 27. SOUTHWEST | 61. POLICEMEN | 95. EXPLOSION |
| 28. FOLLOWERS | 62. POLLUTION | 96. ARLINGTON |
| 29. ARGENTINA | 63. TENNESSEE | 97. CAMBRIDGE |
| 30. BREAKFAST | 64. WITNESSES | 98. ECONOMICS |
| 31. HOSPITALS | 65. APARTMENT | 99. ECONOMIES |
| 32. LANDSCAPE | 66. ARCHITECT | 100. FACSIMILE |
| 33. NIGHTMARE | 67. CHALLENGE | |
| 34. SEQUENCES | 68. DIFFICULT | |