

100 Word Letter puzzle about geography

Sascha Frank

June 29, 2012

Connect the letters in such a way that they spell a word. Each letter is only used once and it is not allowed that the lines intersect. There are 100 different puzzles to solve for each of them is a short solution at the end.

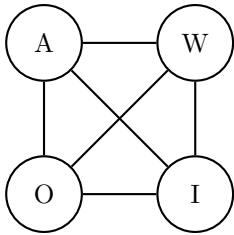
With the kind support of:

decodoo.de, www.moebel-zeit.com and www.shiptu.de

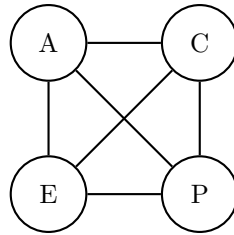
Looking for these words:

ASIA	BALTIC	MANILA	CHERNOBYL
CAPE	BEIRUT	MEXICO	CLEVELAND
CITY	BERLIN	MOSCOW	COLOMBIAN
CUBA	BOSTON	NEVADA	COUNTRIES
GAZA	BRAZIL	NEWARK	FRANKFURT
HILL	CANADA	NORWAY	HAMPSHIRE
IOWA	CYPRUS	OREGON	HOLLYWOOD
IRAN	DAKOTA	OTTAWA	INDONESIA
IRAQ	DALLAS	OXFORD	JERUSALEM
LAKE	DAYTON	PANAMA	LITHUANIA
LIMA	DENVER	PLAINS	LOUISIANA
OHIO	EMPIRE	POLAND	MANHATTAN
PERU	EUROPE	PRAGUE	MILWAUKEE
ROAD	FRANCE	QUEBEC	MINNESOTA
ROME	GENEVA	RUSSIA	NASHVILLE
TOWN	GREECE	STREET	NICARAGUA
UTAH	HAWAII	SWEDEN	PALESTINE
YALE	ISLAND	SYDNEY	PRINCETON
YORK	ISRAEL	SYRIAN	ROCHESTER
AFRICA	JERSEY	TAIWAN	SINGAPORE
ALASKA	KANSAS	TEHRAN	STOCKHOLM
ANGOLA	KUWAIT	TURKEY	TENNESSEE
ARABIA	LIBYAN	VIENNA	VANCOUVER
AUSTIN	LONDON	WARSAW	VENEZUELA
AVENUE	MADRID	ANCHORAGE	WISCONSIN

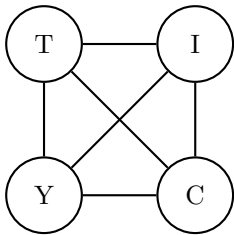
Number 1



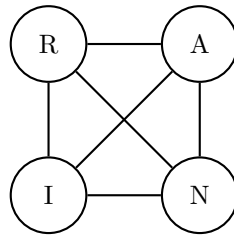
Number 2



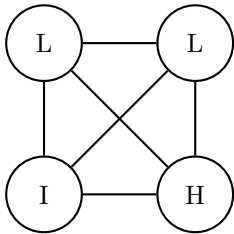
Number 3



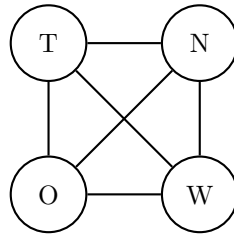
Number 4



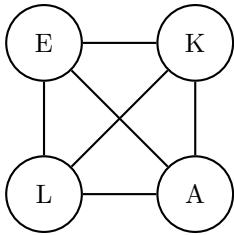
Number 5



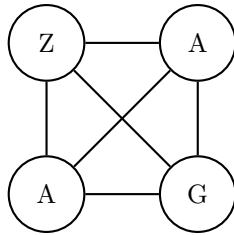
Number 6



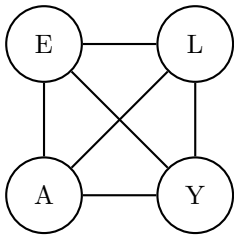
Number 7



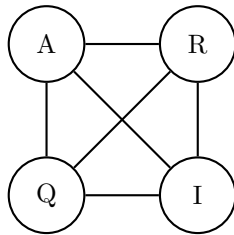
Number 8



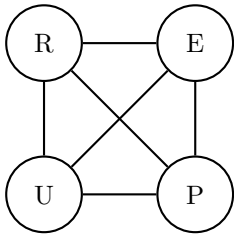
Number 9



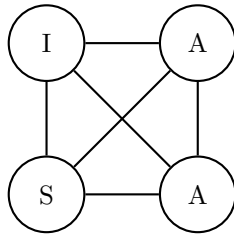
Number 10



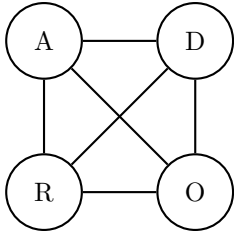
Number 11



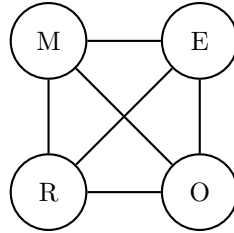
Number 12



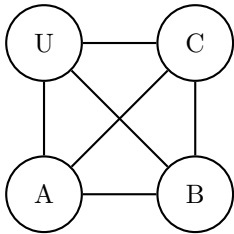
Number 13



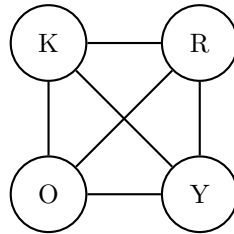
Number 14



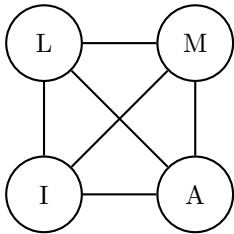
Number 15



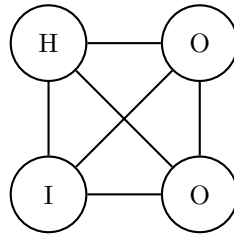
Number 16



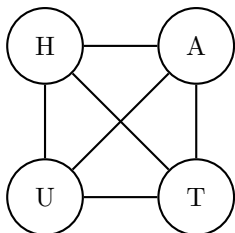
Number 17



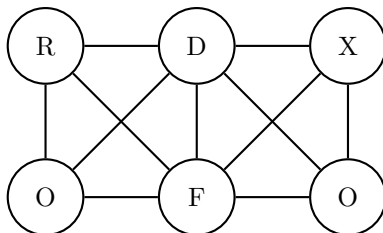
Number 18



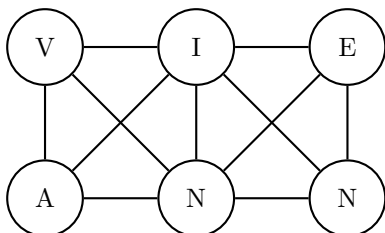
Number 19



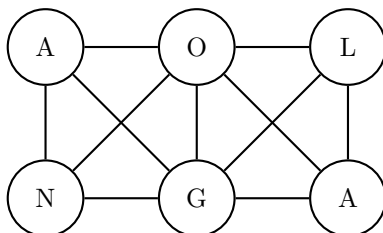
Number 20



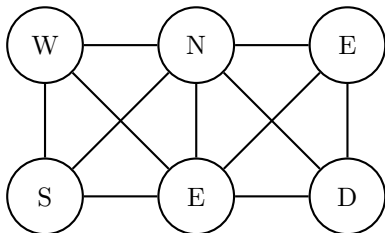
Number 21



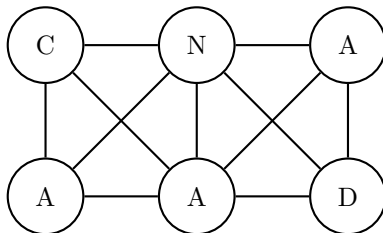
Number 22



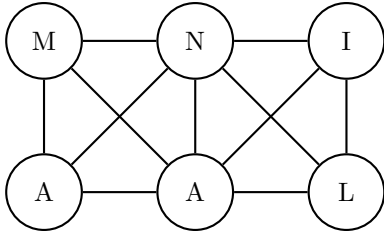
Number 23



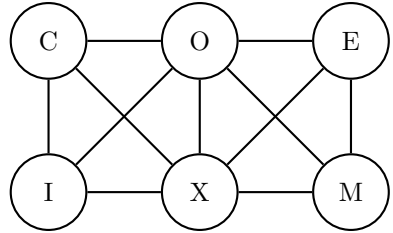
Number 24



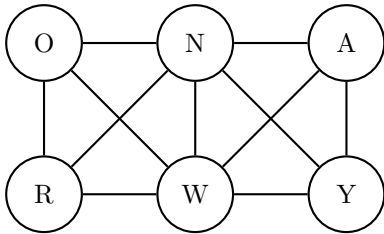
Number 25



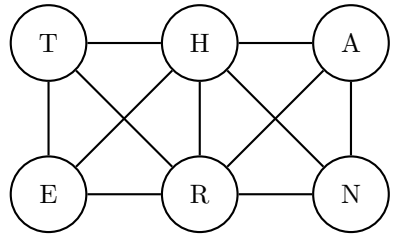
Number 26



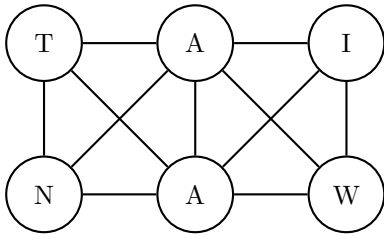
Number 27



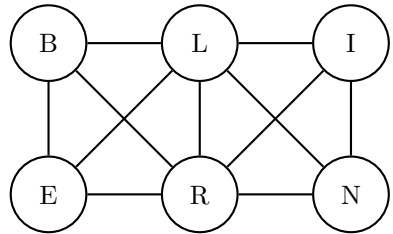
Number 28



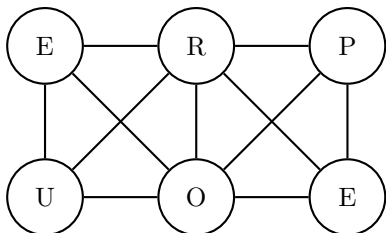
Number 29



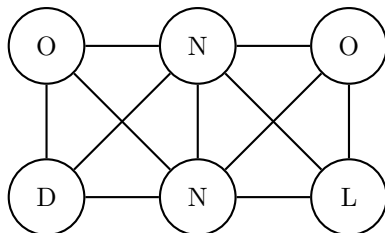
Number 30



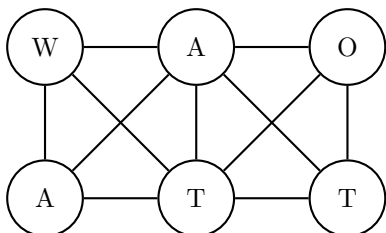
Number 31



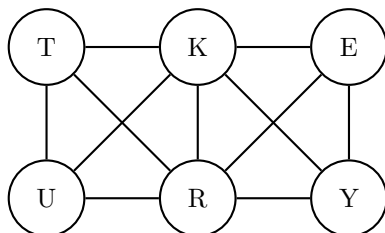
Number 32



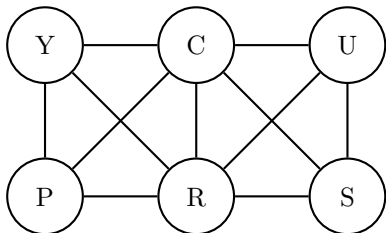
Number 33



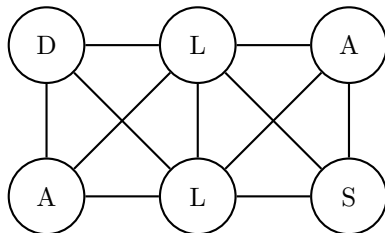
Number 34



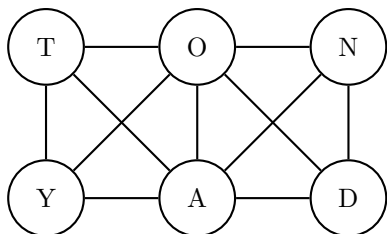
Number 35



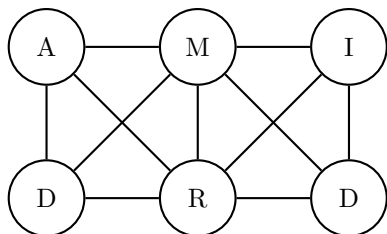
Number 36



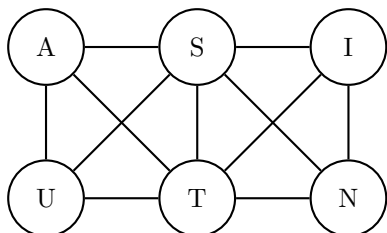
Number 37



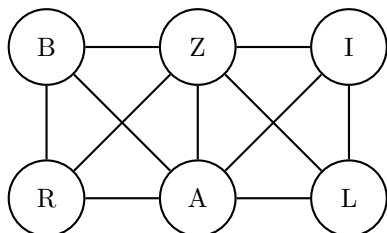
Number 38



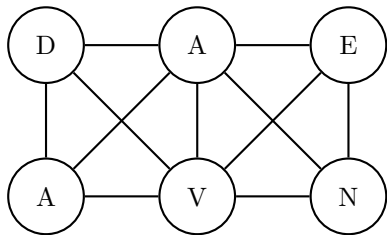
Number 39



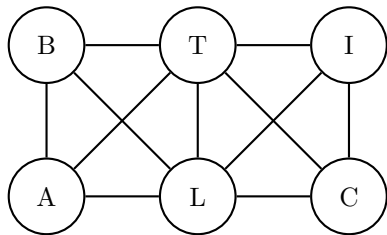
Number 40



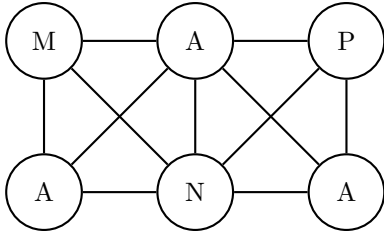
Number 41



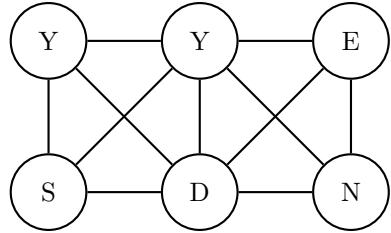
Number 42



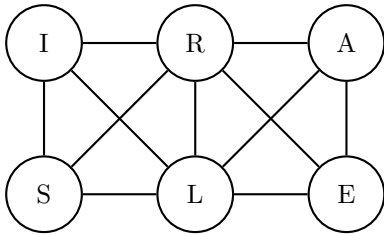
Number 43



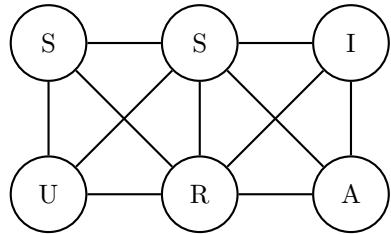
Number 44



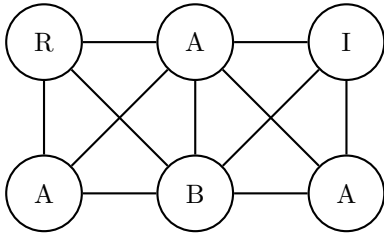
Number 45



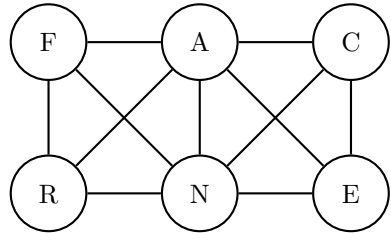
Number 46



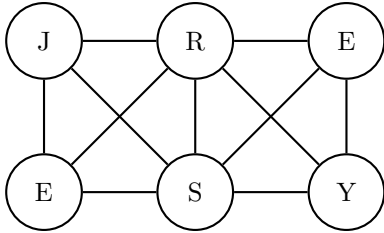
Number 47



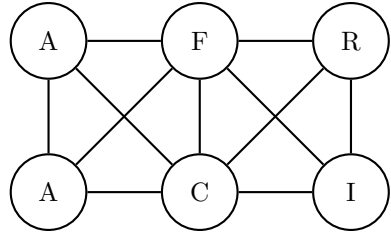
Number 48



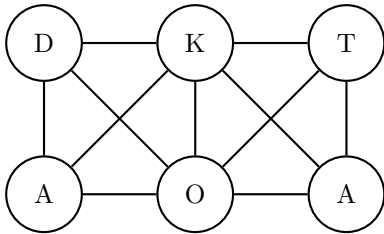
Number 49



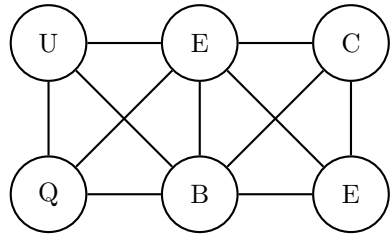
Number 50



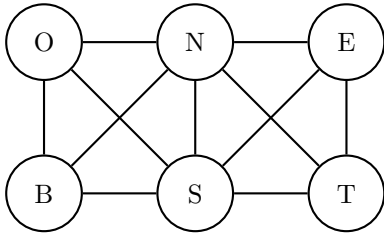
Number 51



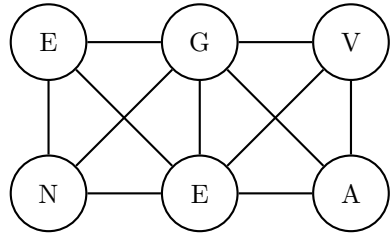
Number 52



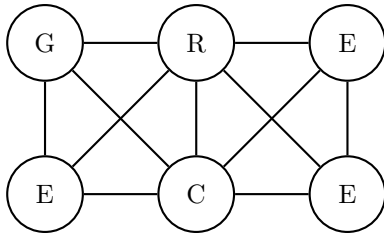
Number 53



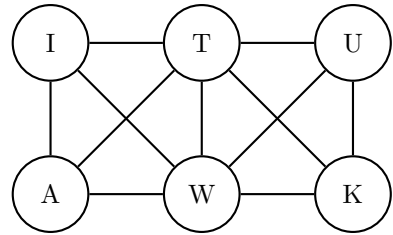
Number 54



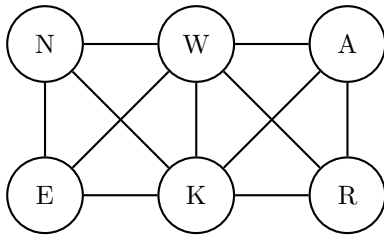
Number 55



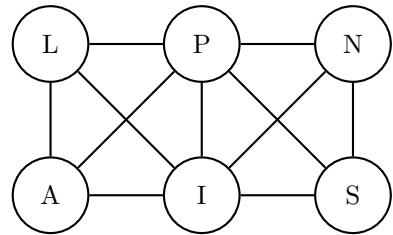
Number 56



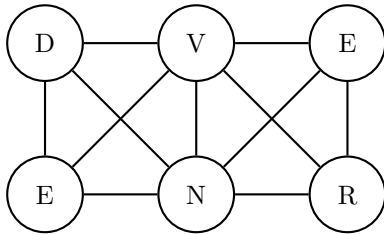
Number 57



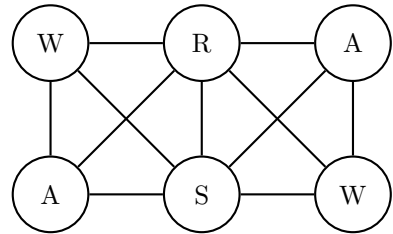
Number 58



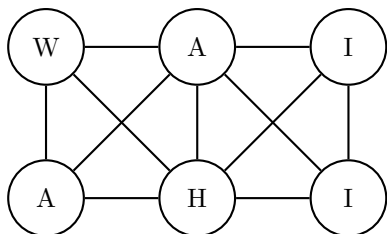
Number 59



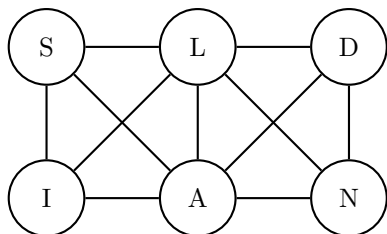
Number 60



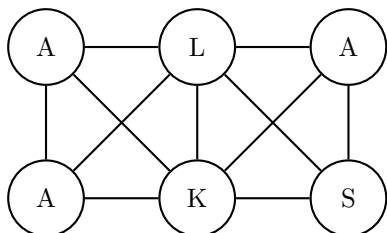
Number 61



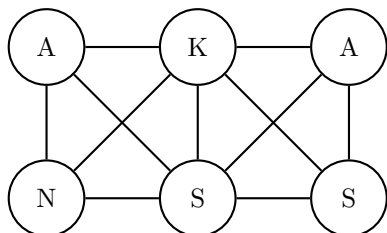
Number 62



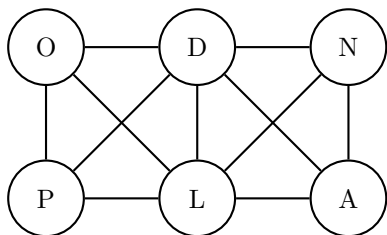
Number 63



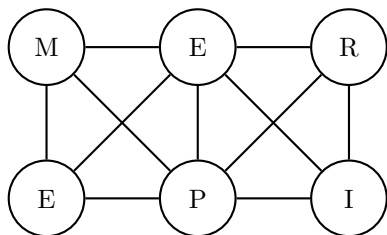
Number 64



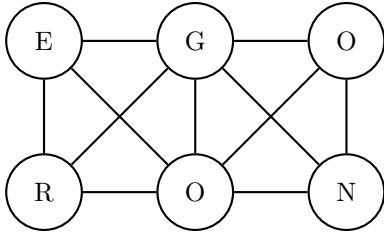
Number 65



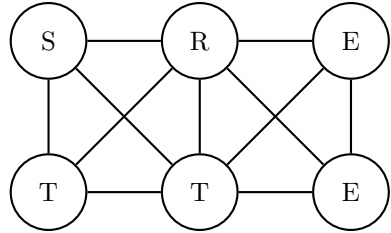
Number 66



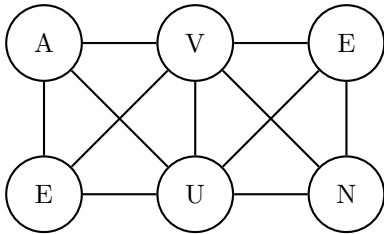
Number 67



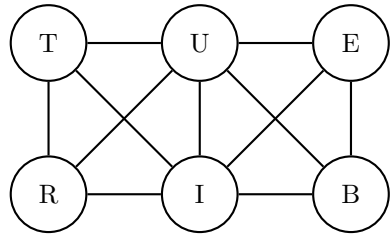
Number 68



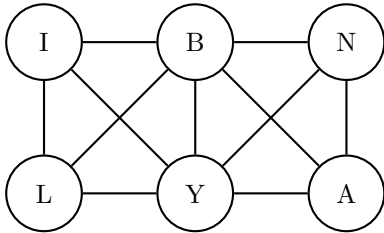
Number 69



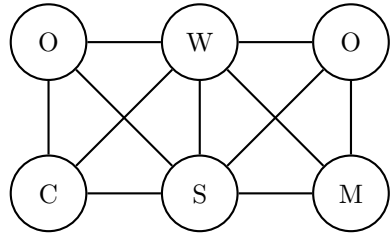
Number 70



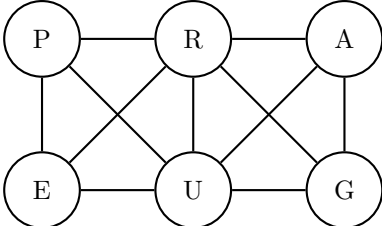
Number 71



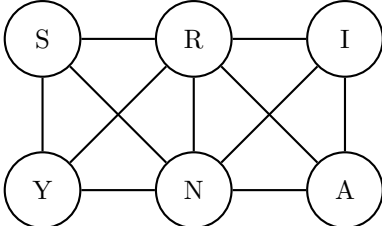
Number 72



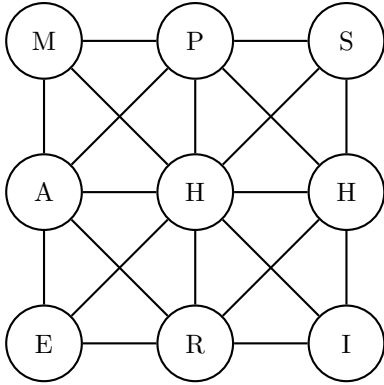
Number 73



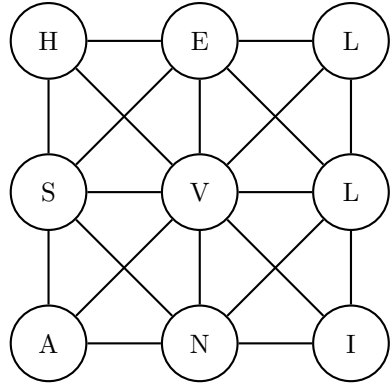
Number 74



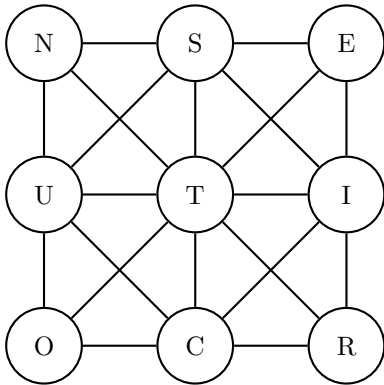
Number 75



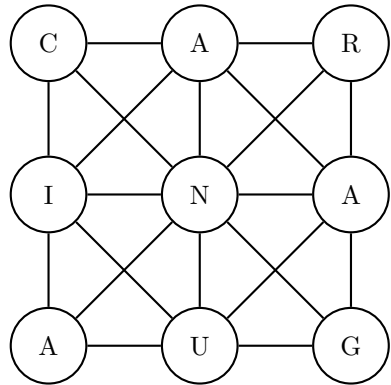
Number 76



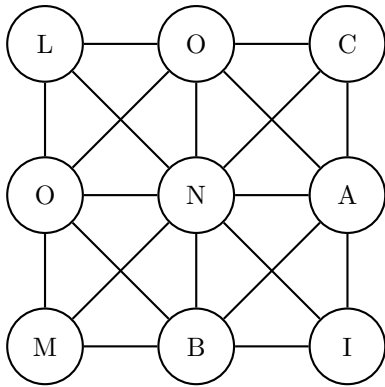
Number 77



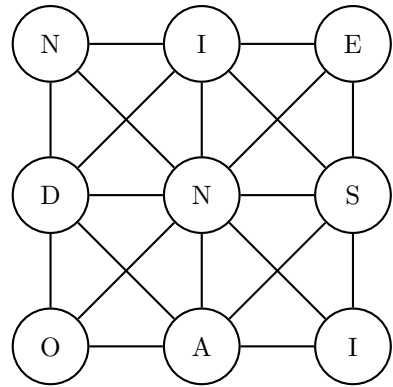
Number 78



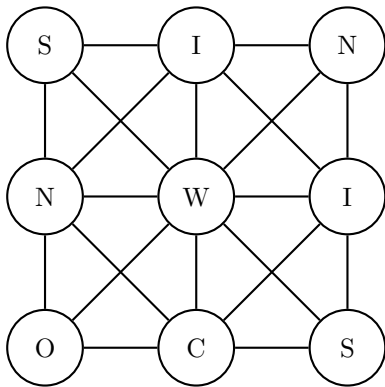
Number 79



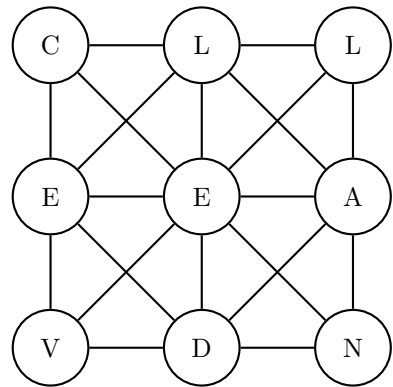
Number 80



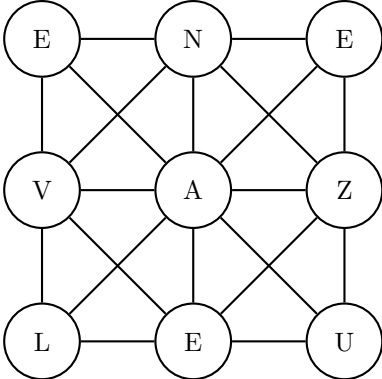
Number 81



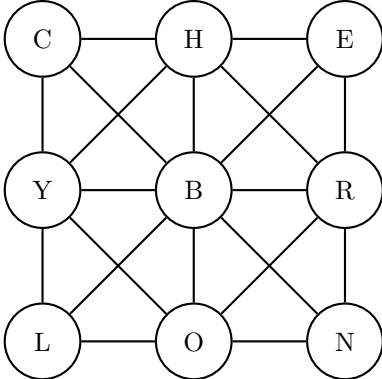
Number 82



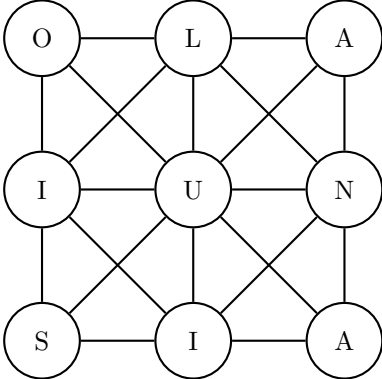
Number 83



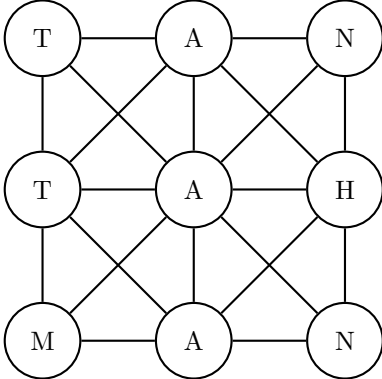
Number 84



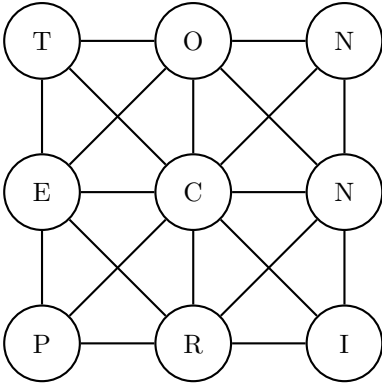
Number 85



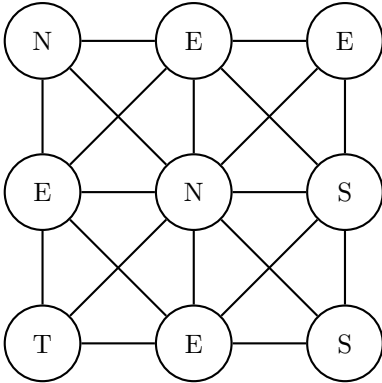
Number 86



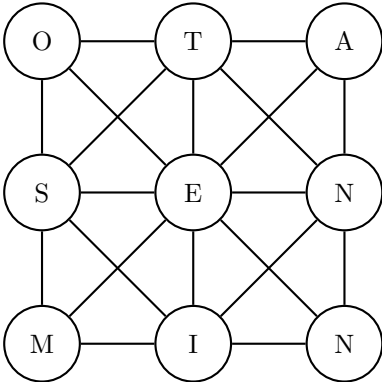
Number 87



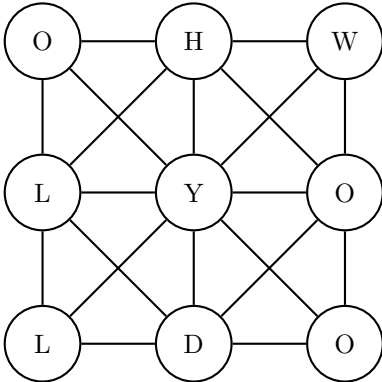
Number 88



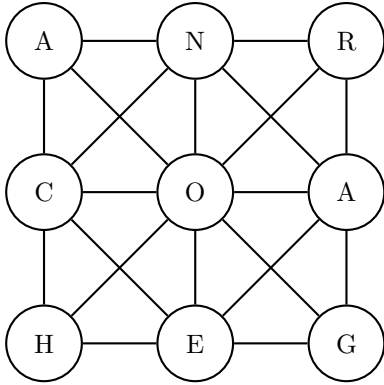
Number 89



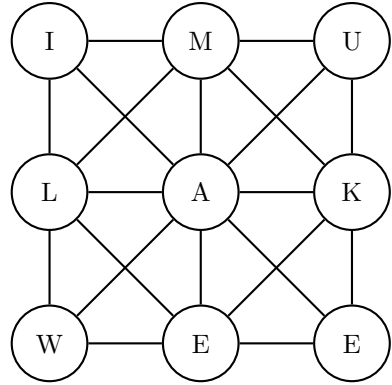
Number 90



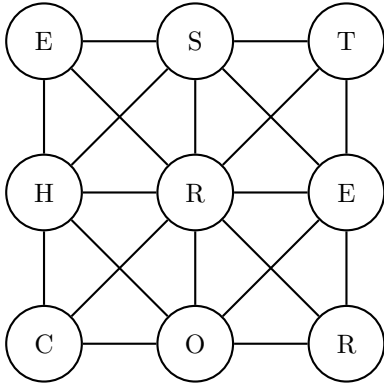
Number 91



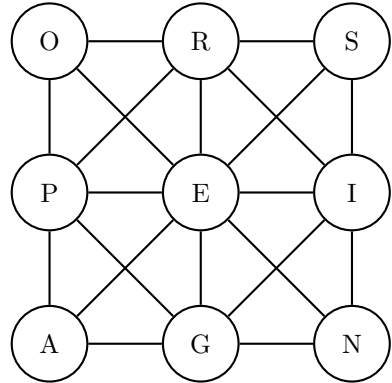
Number 92



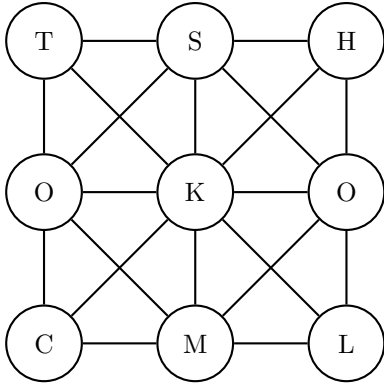
Number 93



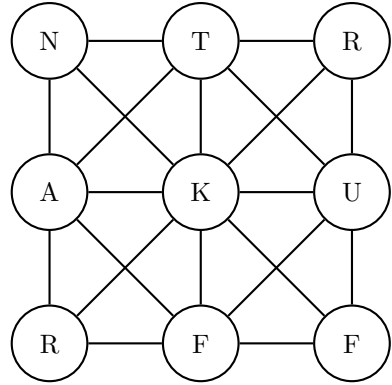
Number 94



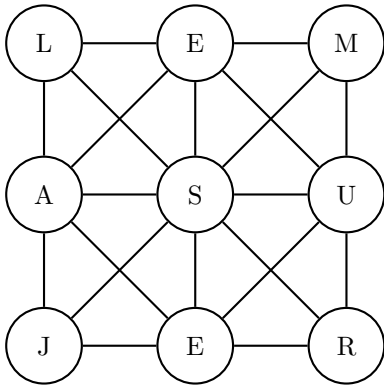
Number 95



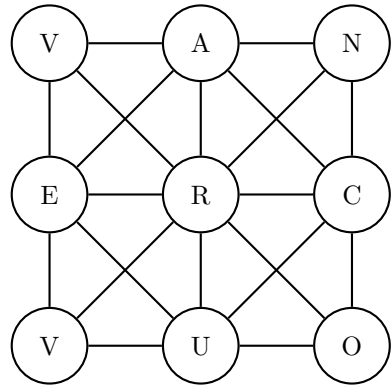
Number 96



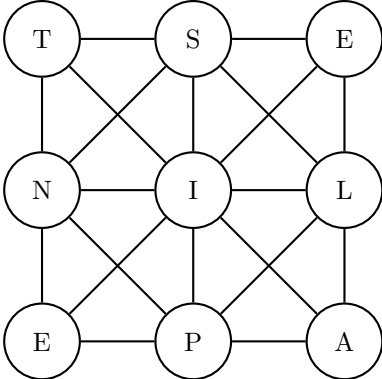
Number 97



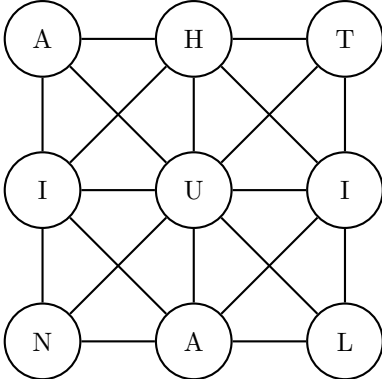
Number 98



Number 99



Number 100



Solution:

- | | | | |
|-----------|-----------|--------------|---------------|
| 1.IOWA | 26.MEXICO | 51.DAKOTA | 76.NASHVILLE |
| 2.CAPE | 27.NORWAY | 52.QUEBEC | 77.COUNTRIES |
| 3.CITY | 28.TEHRAN | 53.BOSTON | 78.NICARAGUA |
| 4.IRAN | 29.TAIWAN | 54.GENEVA | 79.COLOMBIAN |
| 5.HILL | 30.BERLIN | 55.GREECE | 80.INDONESIA |
| 6.TOWN | 31.EUROPE | 56.KUWAIT | 81.WISCONSIN |
| 7.LAKE | 32.LONDON | 57.NEWARK | 82.CLEVELAND |
| 8.GAZA | 33.OTTAWA | 58.PLAINS | 83.VENEZUELA |
| 9.YALE | 34.TURKEY | 59.DENVER | 84.CHERNOBYL |
| 10.IRAQ | 35.CYPRUS | 60.WARSAW | 85.LOUISIANA |
| 11.PERU | 36.DALLAS | 61.HAWAII | 86.MANHATTAN |
| 12.ASIA | 37.DAYTON | 62.ISLAND | 87.PRINCETON |
| 13.ROAD | 38.MADRID | 63.ALASKA | 88.TENNESSEE |
| 14.ROME | 39.AUSTIN | 64.KANSAS | 89.MINNESOTA |
| 15.CUBA | 40.BRAZIL | 65.POLAND | 90.HOLLYWOOD |
| 16.YORK | 41.NEVADA | 66.EMPIRE | 91.ANCHORAGE |
| 17.LIMA | 42.BALTIC | 67.OREGON | 92.MILWAUKEE |
| 18.OHIO | 43.PANAMA | 68.STREET | 93.ROCHESTER |
| 19.UTAH | 44.SYDNEY | 69.AVENUE | 94.SINGAPORE |
| 20.OXFORD | 45.ISRAEL | 70.BEIRUT | 95.STOCKHOLM |
| 21.VIENNA | 46.RUSSIA | 71.LIBYAN | 96.FRANKFURT |
| 22.ANGOLA | 47.ARABIA | 72.MOSCOW | 97.JERUSALEM |
| 23.SWEDEN | 48.FRANCE | 73.PRAGUE | 98.VANCOUVER |
| 24.CANADA | 49.JERSEY | 74.SYRIAN | 99.PALESTINE |
| 25.MANILA | 50.AFRICA | 75.HAMPSHIRE | 100.LITHUANIA |